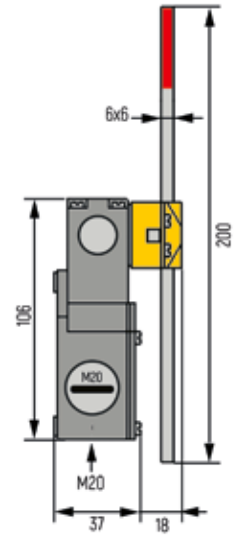
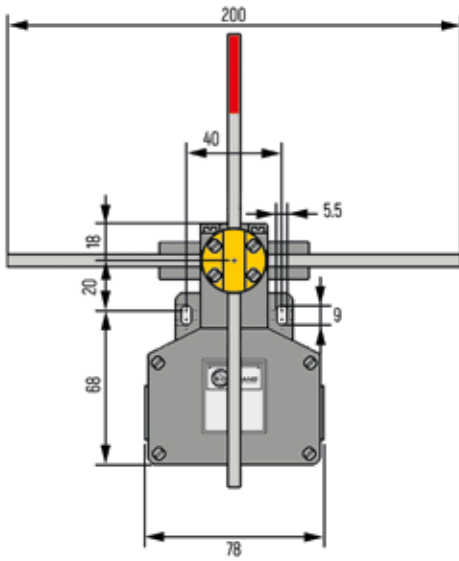


LAMBDA

DIMENSIONS (in mm)



		Contact open		Contact close		Switching Behavior				
						-180°	-90°	0°	90°	180°
Item-Code	Number Contacts/ Maintained Positions	Switching Behavior				A1 A2 B1	A1 A2 B1	B1 A2 A1	A2 B2 A1	A2 B2 B1
LAM001	2 x 1NO+1NC, Multiturn	A	11-12							
		B	13-14							
LAM002	2 x 1NO+1NC, 3 Positions	A	11-12							
		B	13-14							
LAM003	2 x 1NO+1NC, Multiturn	A	11-12							
		B	13-14							
LAM004	2 x 1NO+1NC, Multiturn	A	11-12							
		B	13-14							
LAM005	2 x 1NO+1NC, Multiturn	A	11-12							
		B	13-14							
LAM006	4 x 1NO+1NC, 5 Positions	A	11-12							
		B	13-14							
		C	11-12							
		D	13-14							
LAM007	4 x 1NO+1NC, Multiturn	A	11-12							
		B	13-14							
		C	11-12							
		D	13-14							

SWITCHING BEHAVIOR CROSS LIMIT SWITCH SERIES LAMBDA