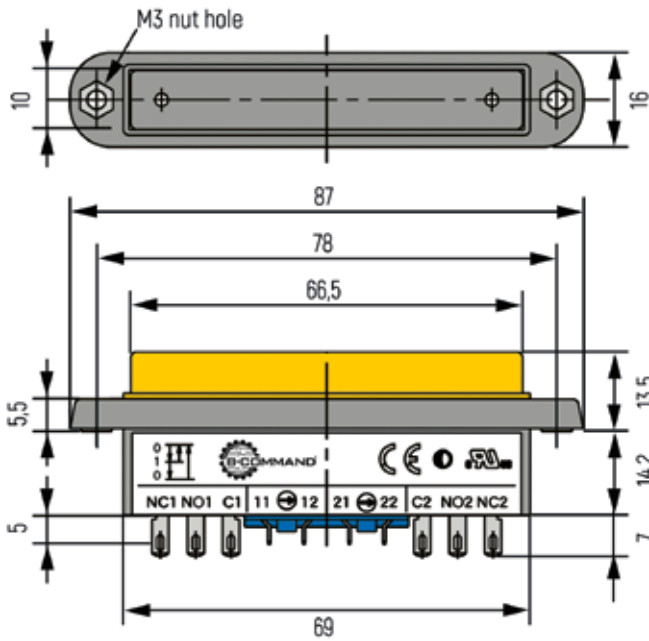


ZA2

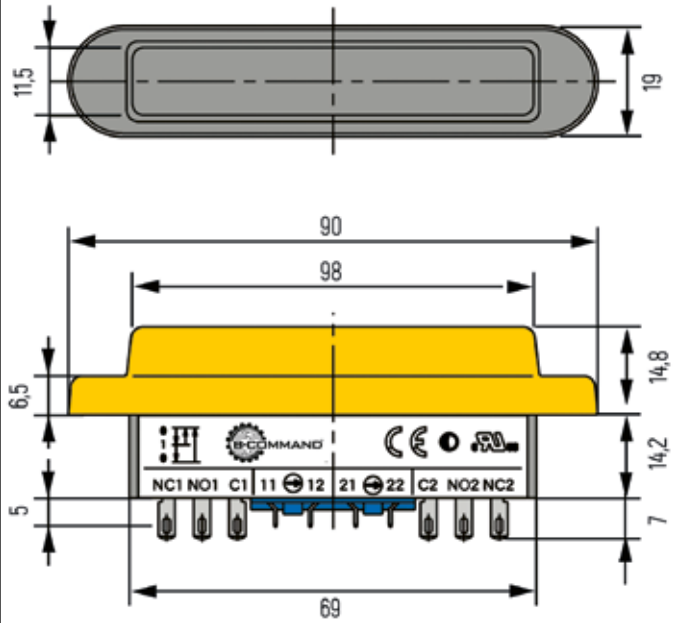


DIMENSIONS (in mm)

Without rubber cap



With rubber cap



MOUNTING HOLE LAYOUT (in mm)

