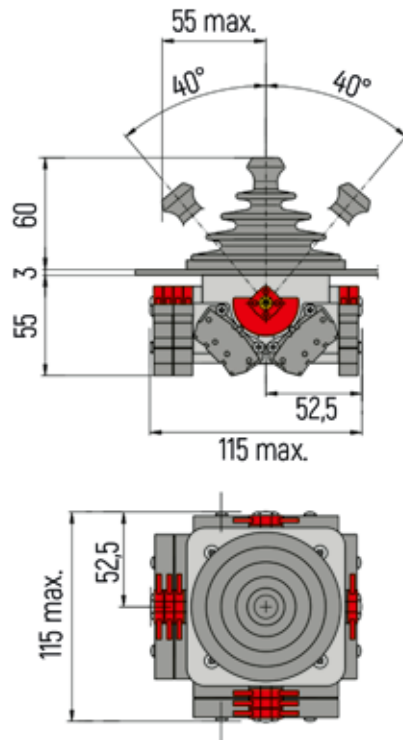


# MC - MW

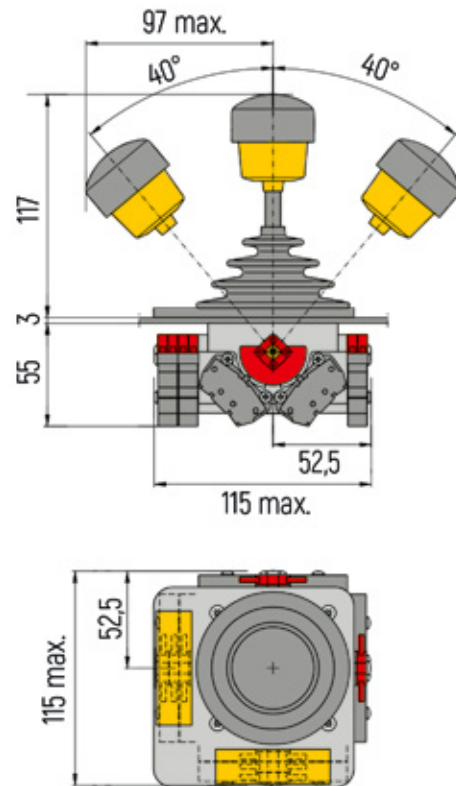


## DIMENSIONS (in mm)

MC - Without handle:



MW - With handle:



## MOUNTING HOLES (in mm)

