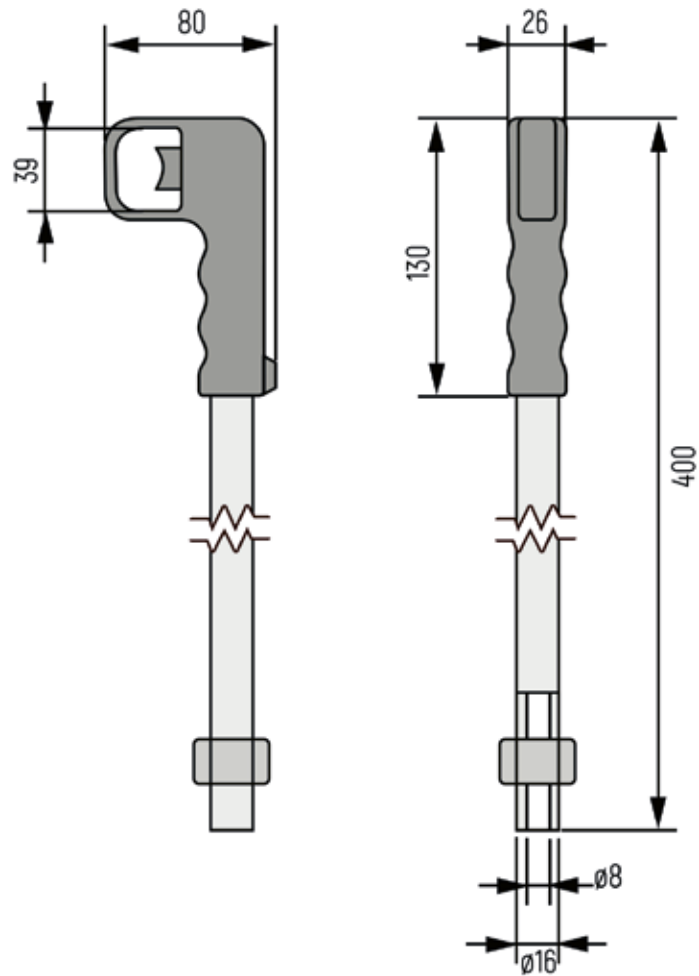


ACCEPT-C



DIMENSIONS (in mm)



CHARACTERISTICS

Safety Handle with metal pipe and locknut		
Item-Code	Number Buttons	Cable Entry
ZB6-01	1 (1NO/1NC Changeover-Contact)	Thread M16
ZB6-02		Thread 3/8"
ZB6-03		Ø20mm without thread
ZB6-04	2 (1NO/1NC Changeover-Contact + Additional Button 1NO)	Thread M16
ZB6-05		Thread 3/8"
ZB6-06		Ø20mm without thread