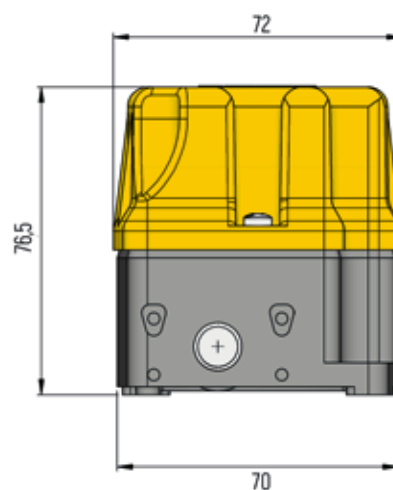
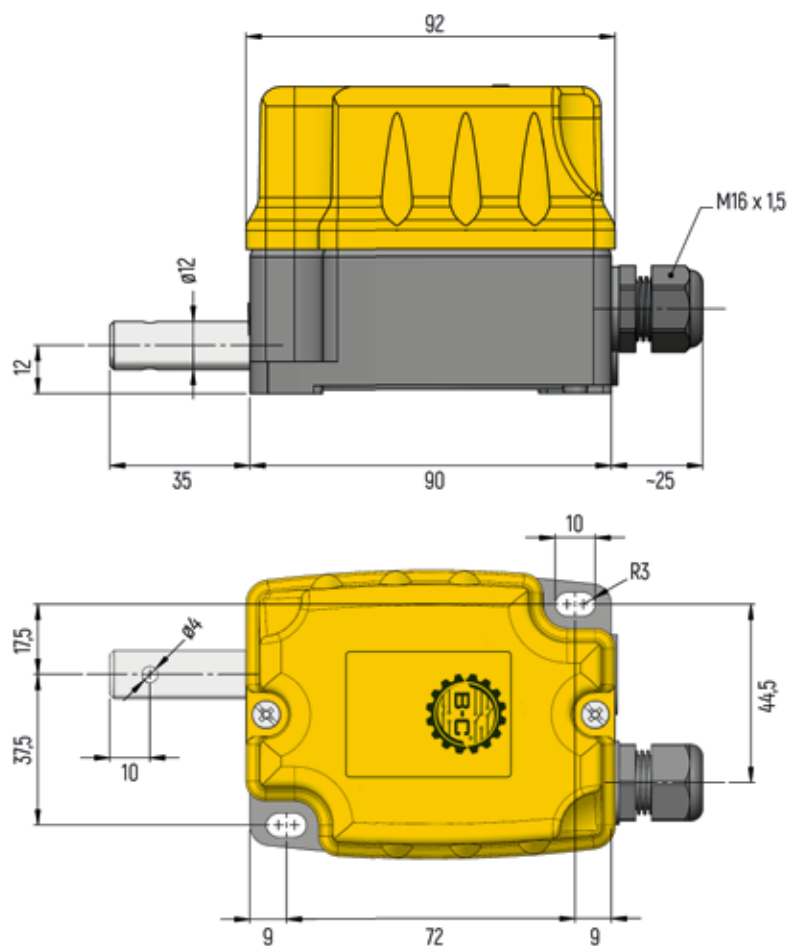


# FRS



DIMENSIONS (in mm)

2 Contacts:

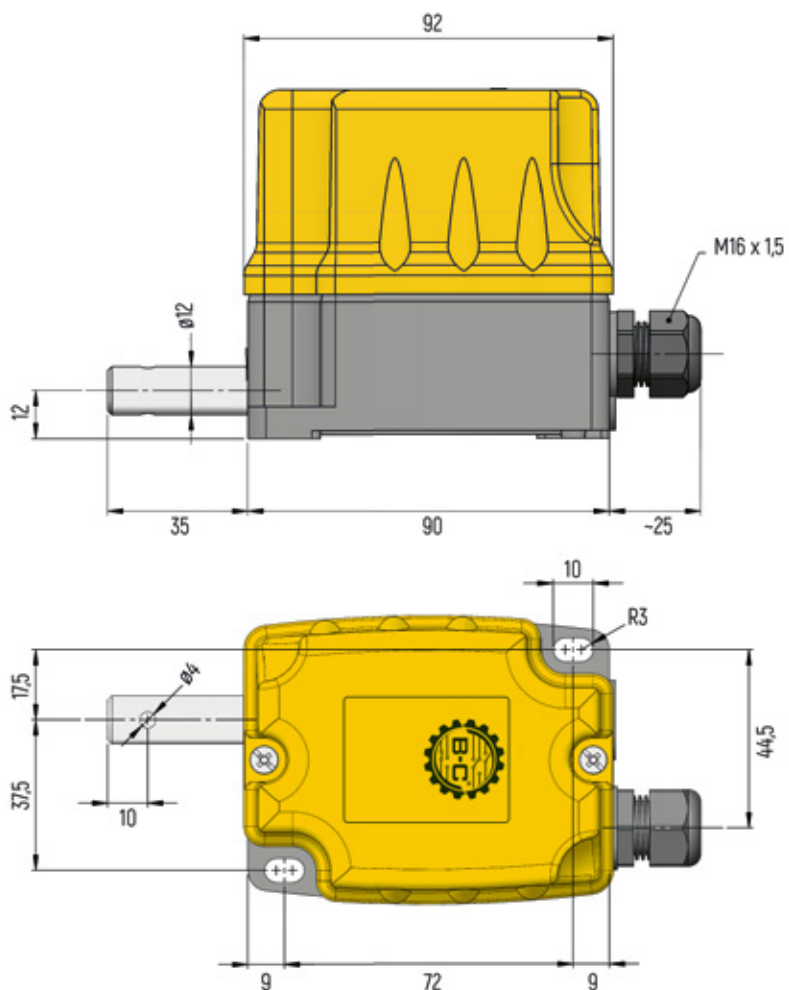


# FRS



DIMENSIONS (in mm)

3 Contacts:

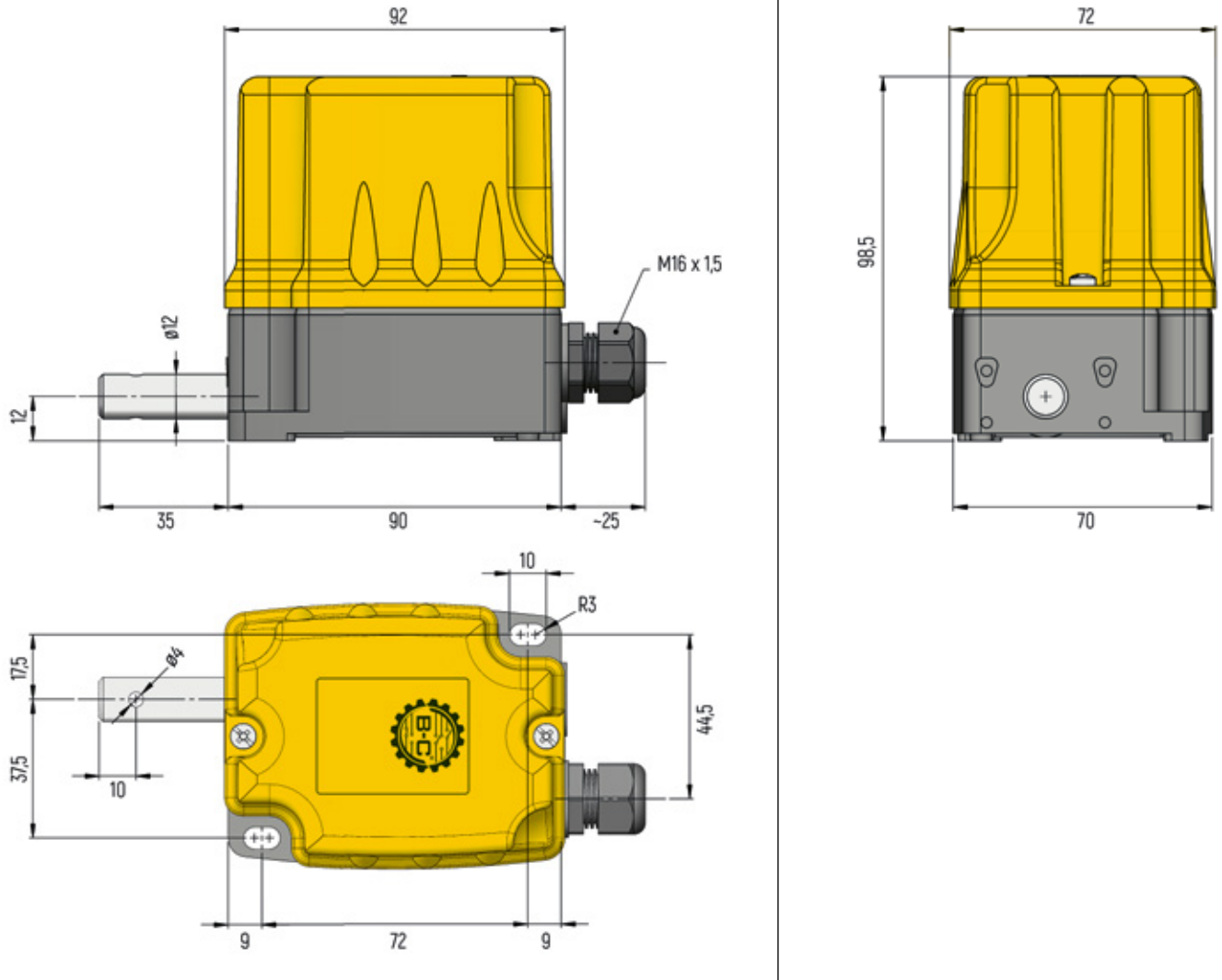


FRS



DIMENSIONS (in mm)

4 Contacts:

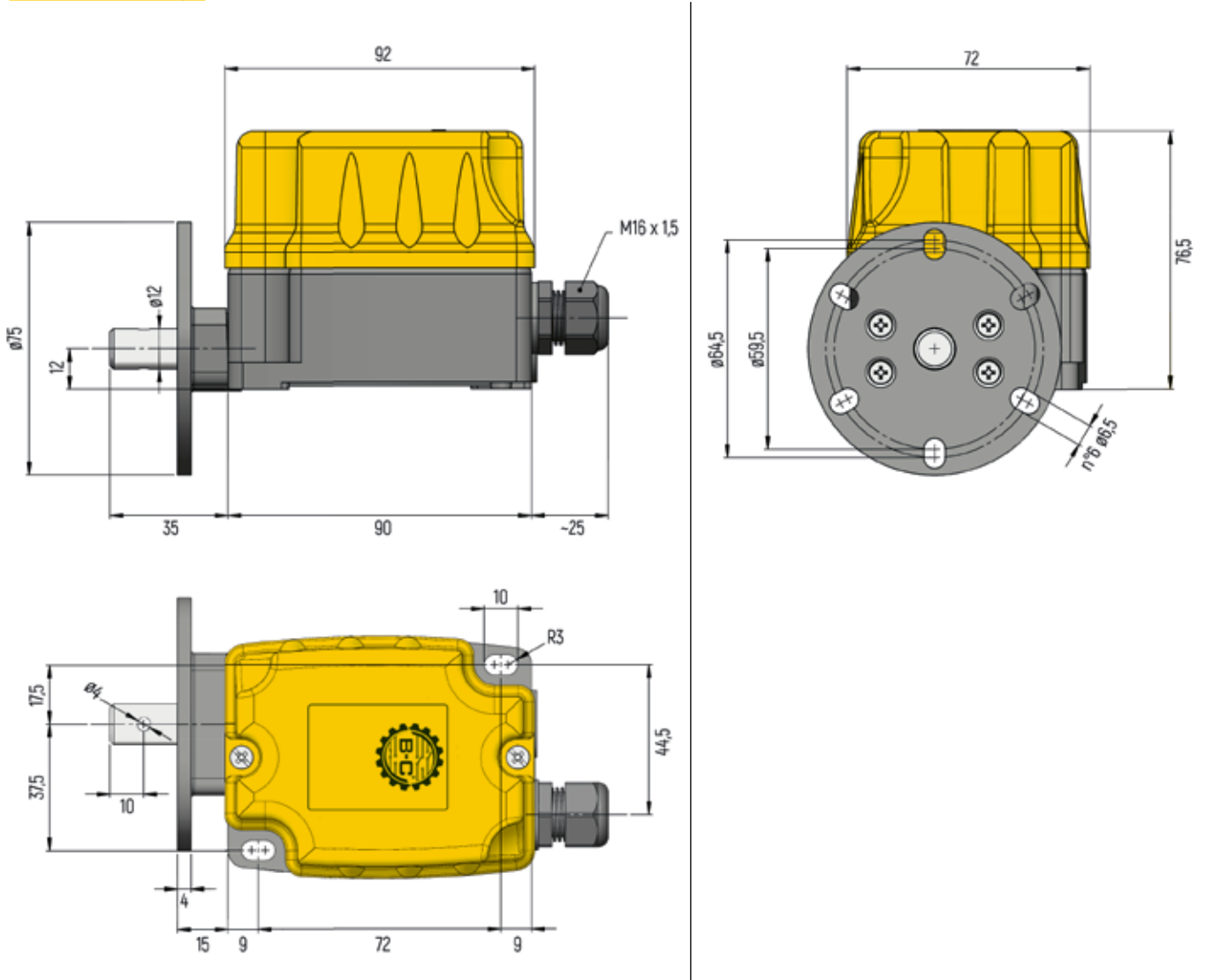


FRS



DIMENSIONS (in mm)

2 Contacts with flange:

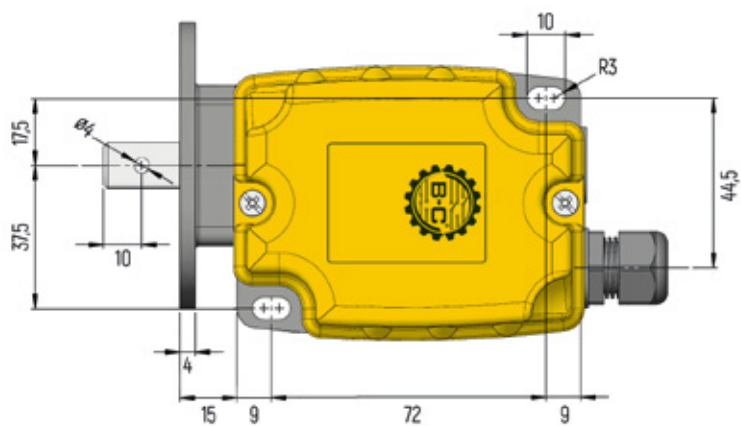
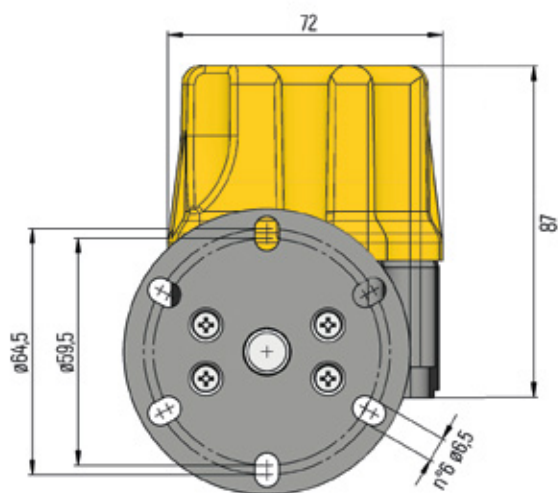
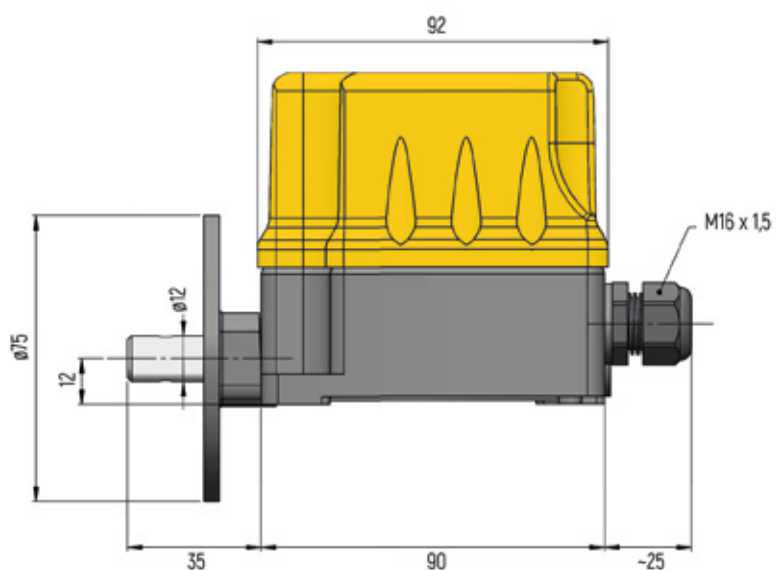


# FRS



DIMENSIONS (in mm)

3 Contacts with flange:

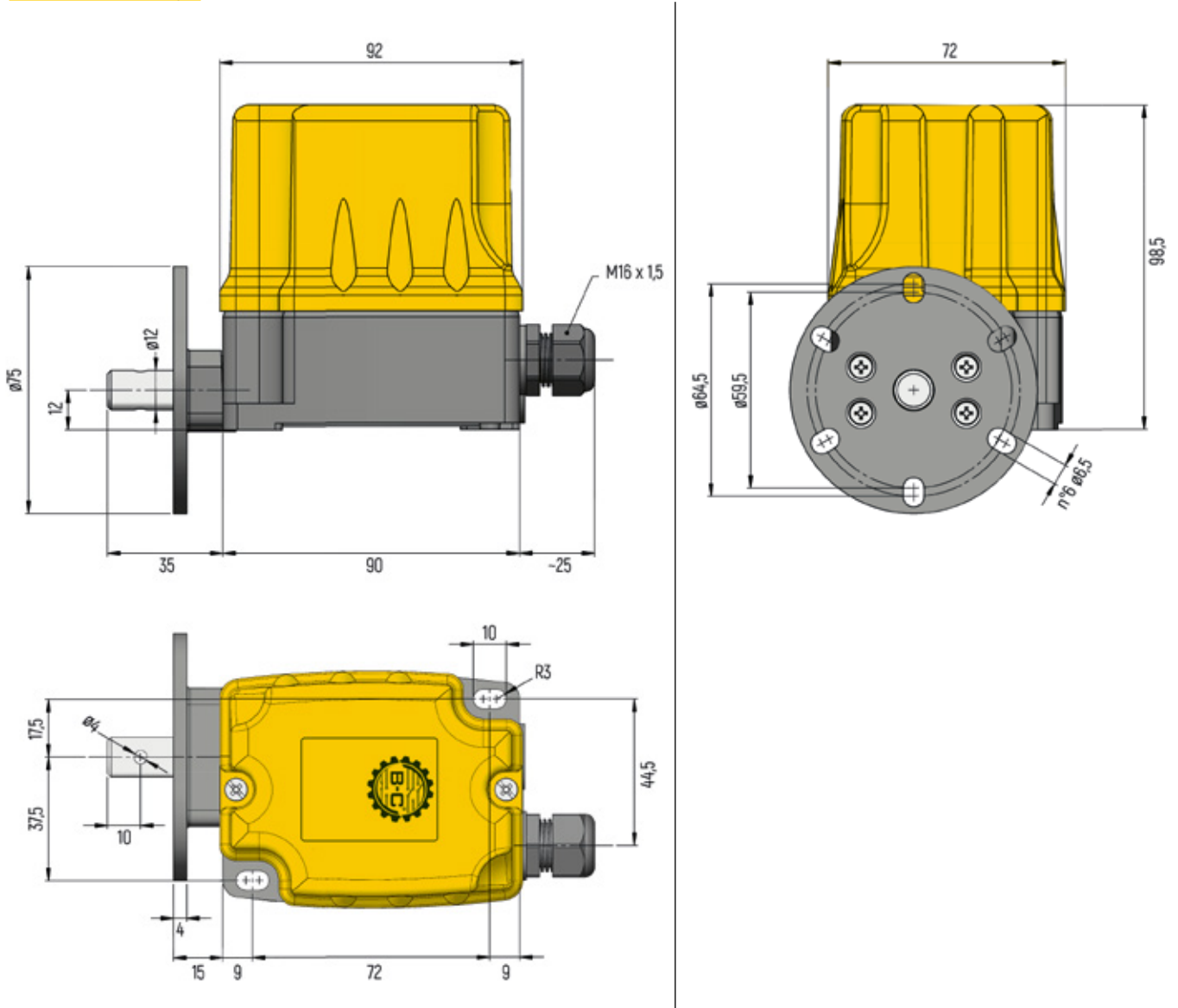


FRS



DIMENSIONS (in mm)

4 Contacts with flange:

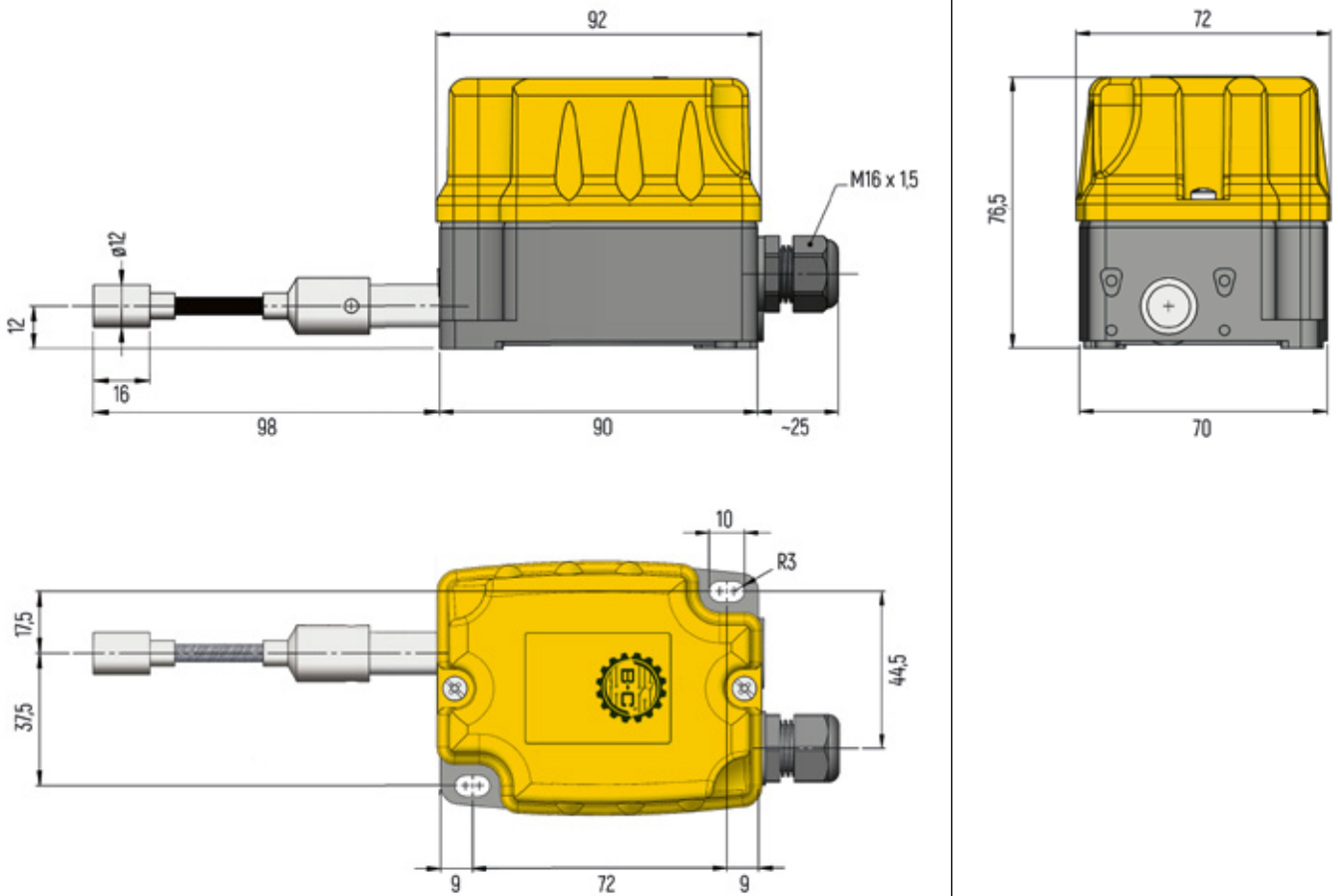


# FRS



DIMENSIONS (in mm)

2 Contacts with flexible shaft:

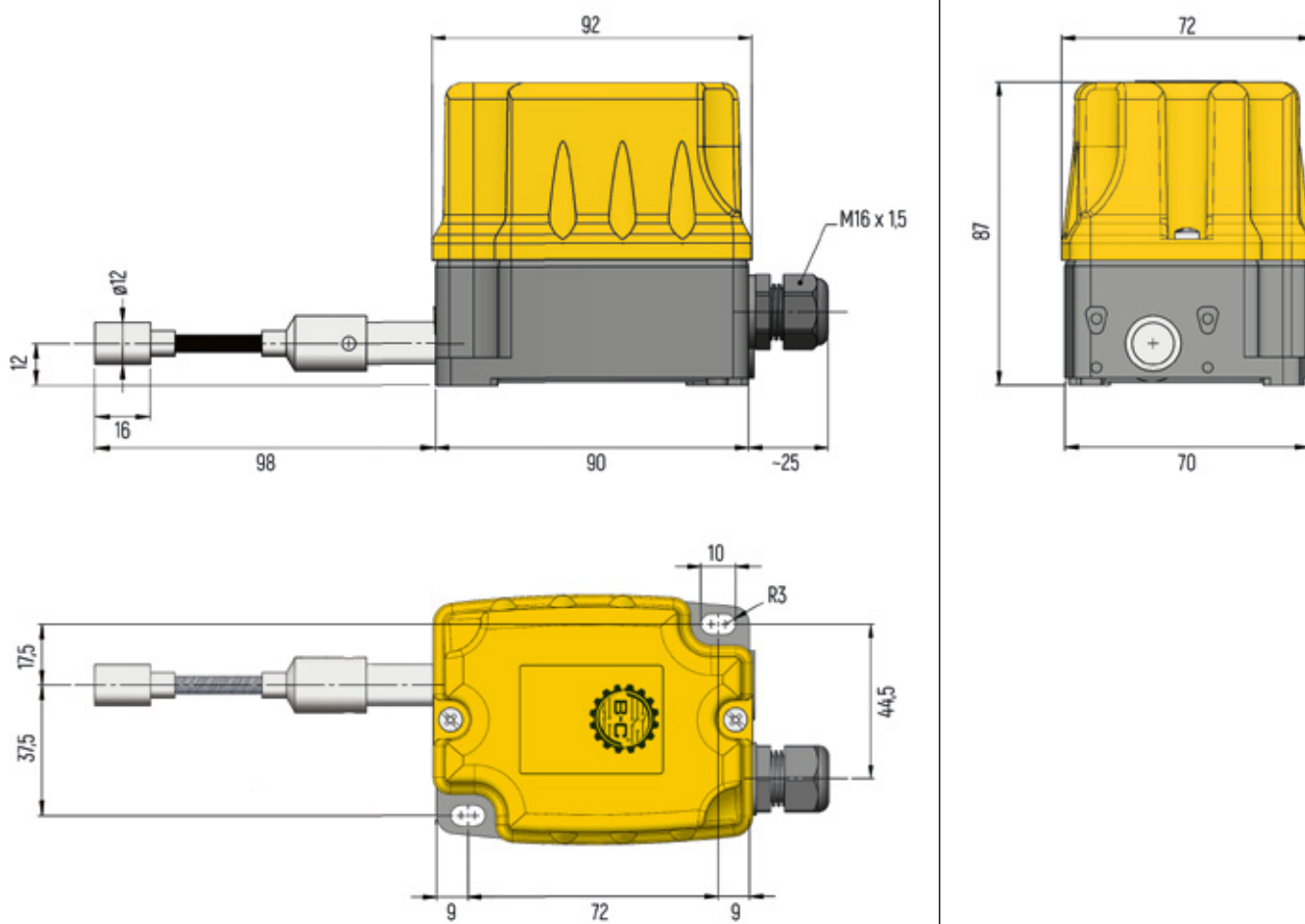


FRS



DIMENSIONS (in mm)

3 Contacts with flexible shaft:



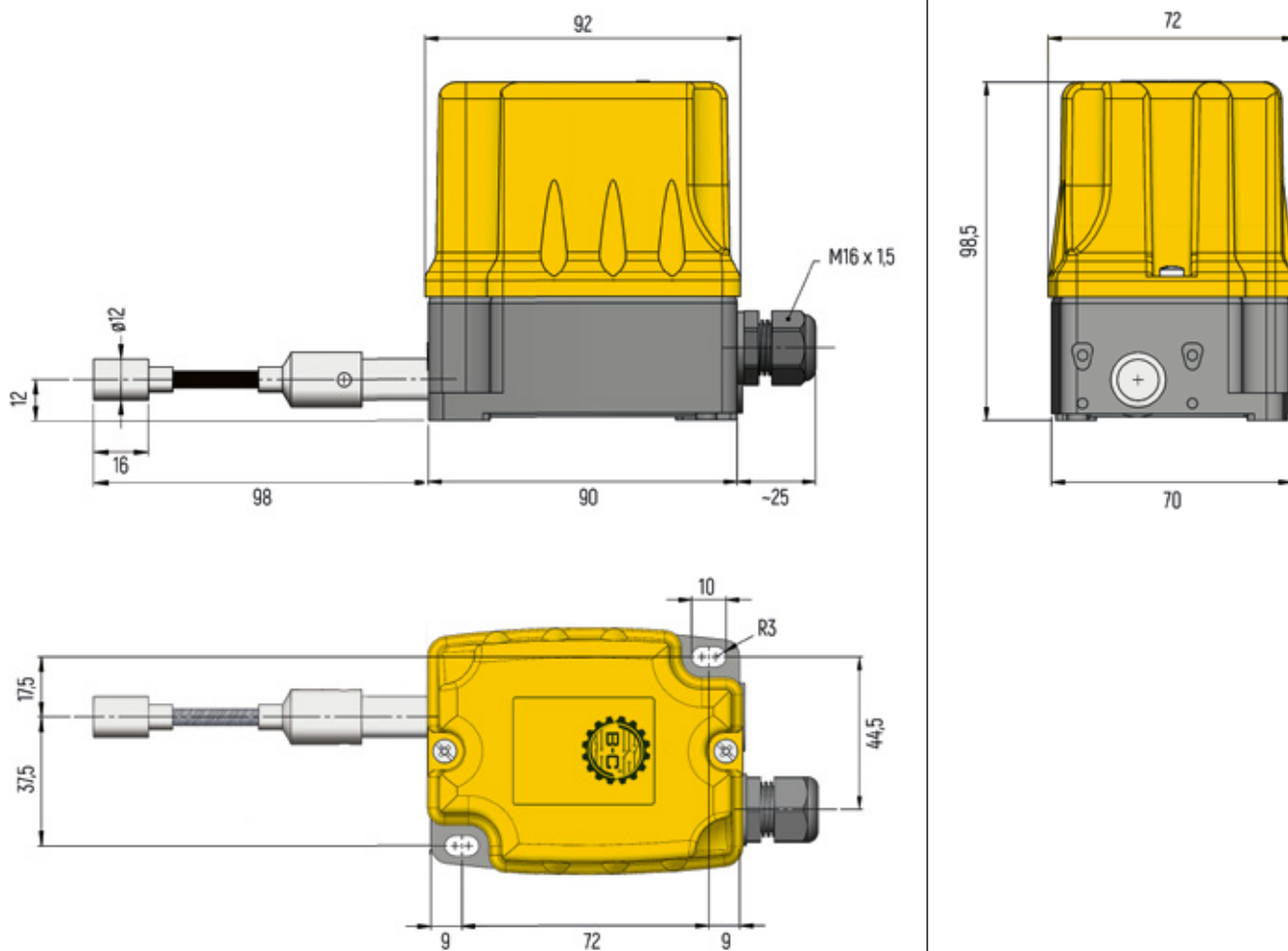


# FRS



DIMENSIONS (in mm)

4 Contacts with flexible shaft:

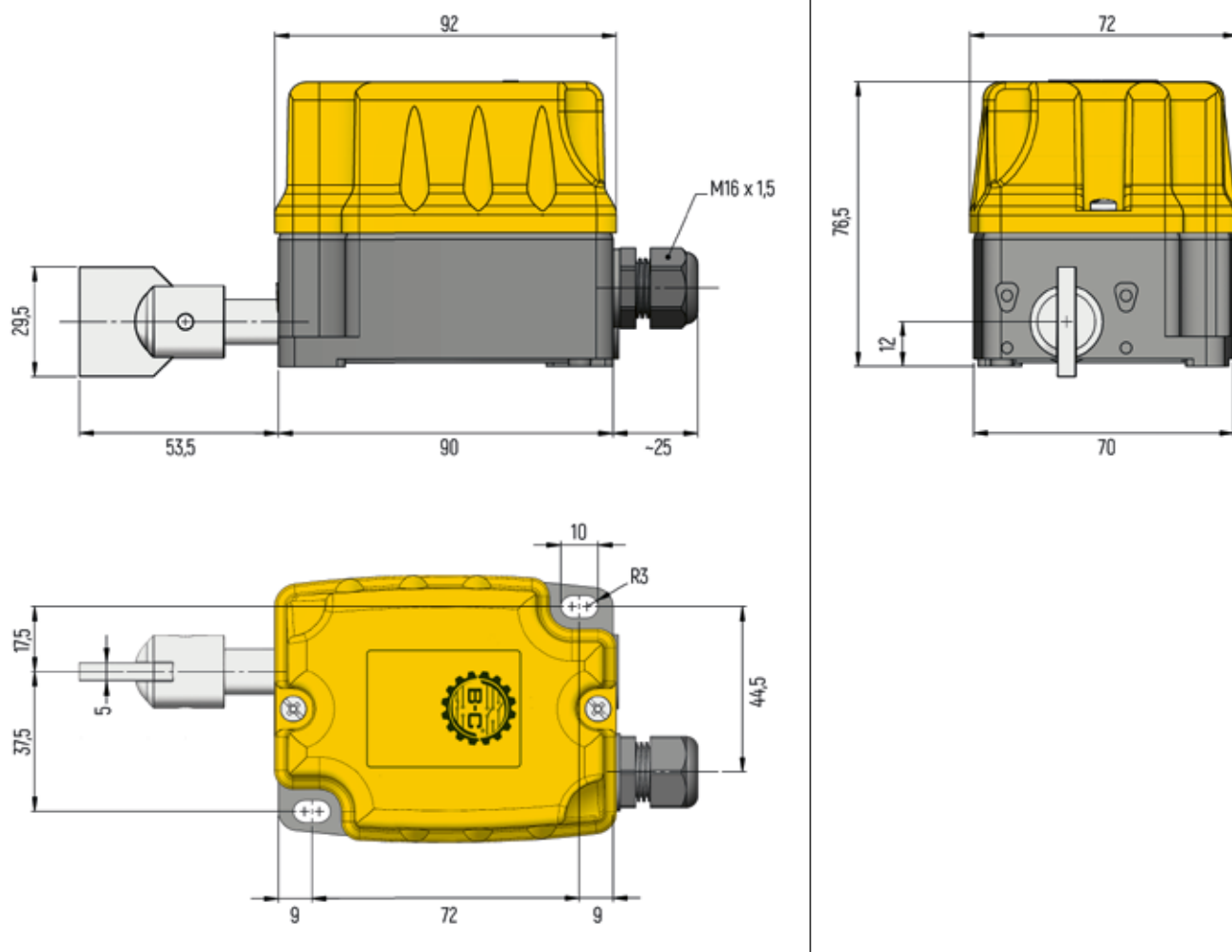


# FRS



DIMENSIONS (in mm)

2 Contacts with Male Connection:

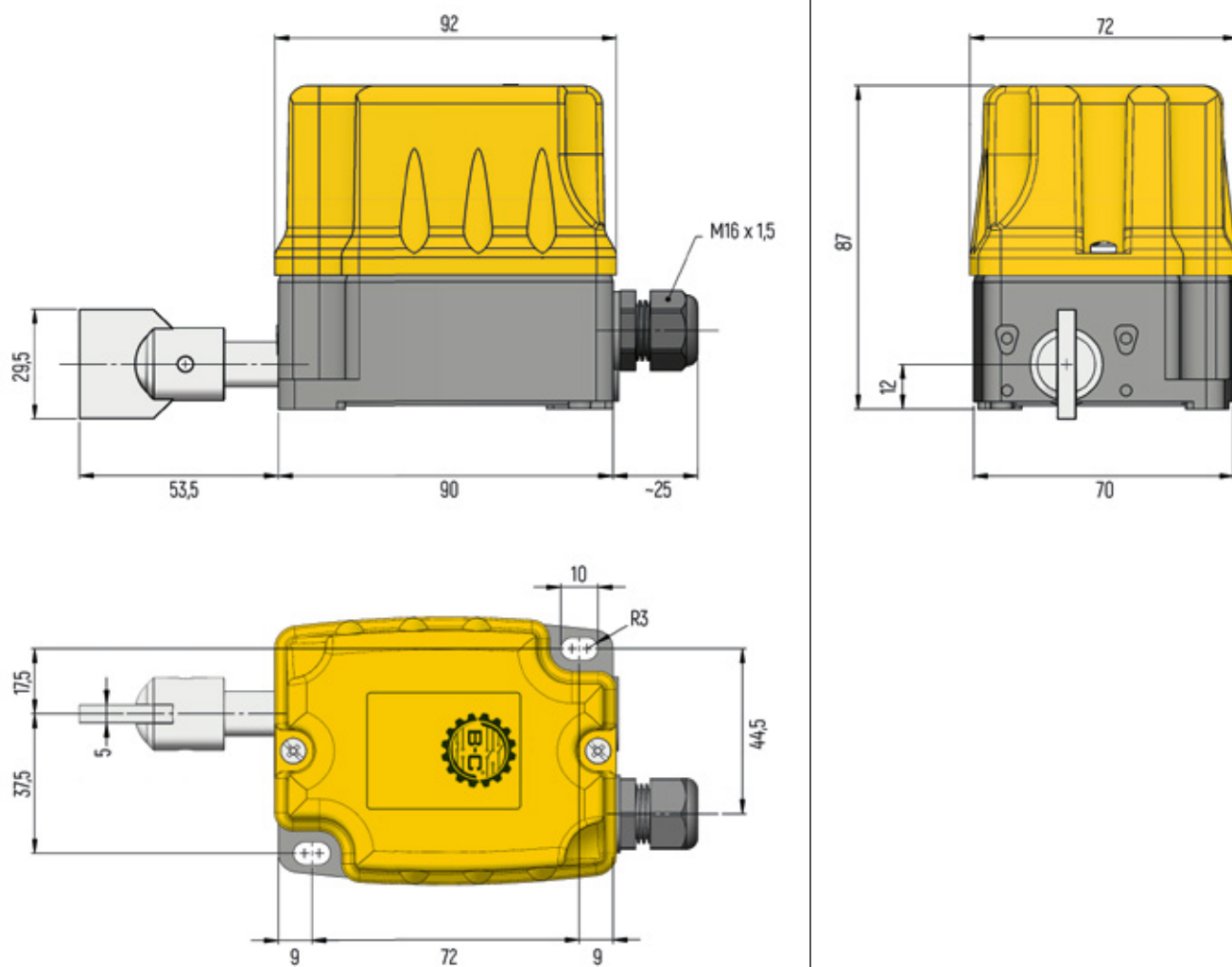


# FRS



DIMENSIONS (in mm)

3 Contacts with Male Connection:



# FRS



DIMENSIONS (in mm)

4 Contacts with Male Connection:

