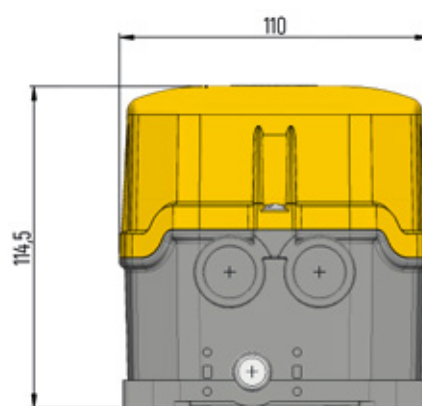
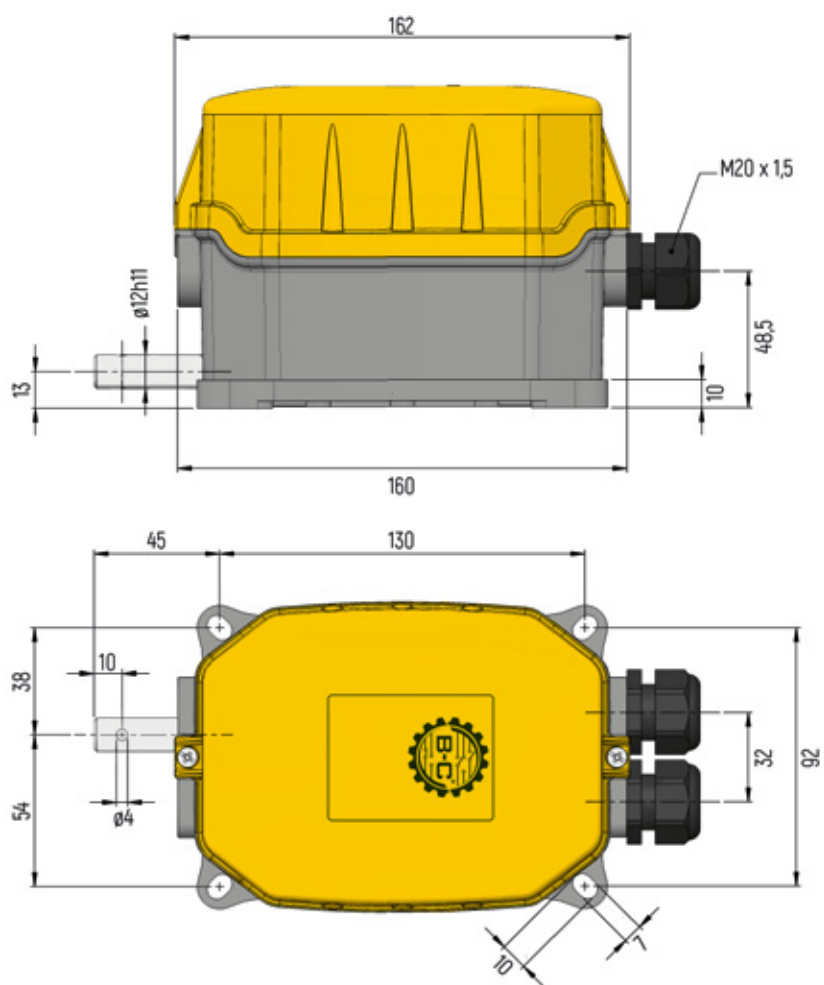


FRM



DIMENSIONS (in mm)

4 Contacts:

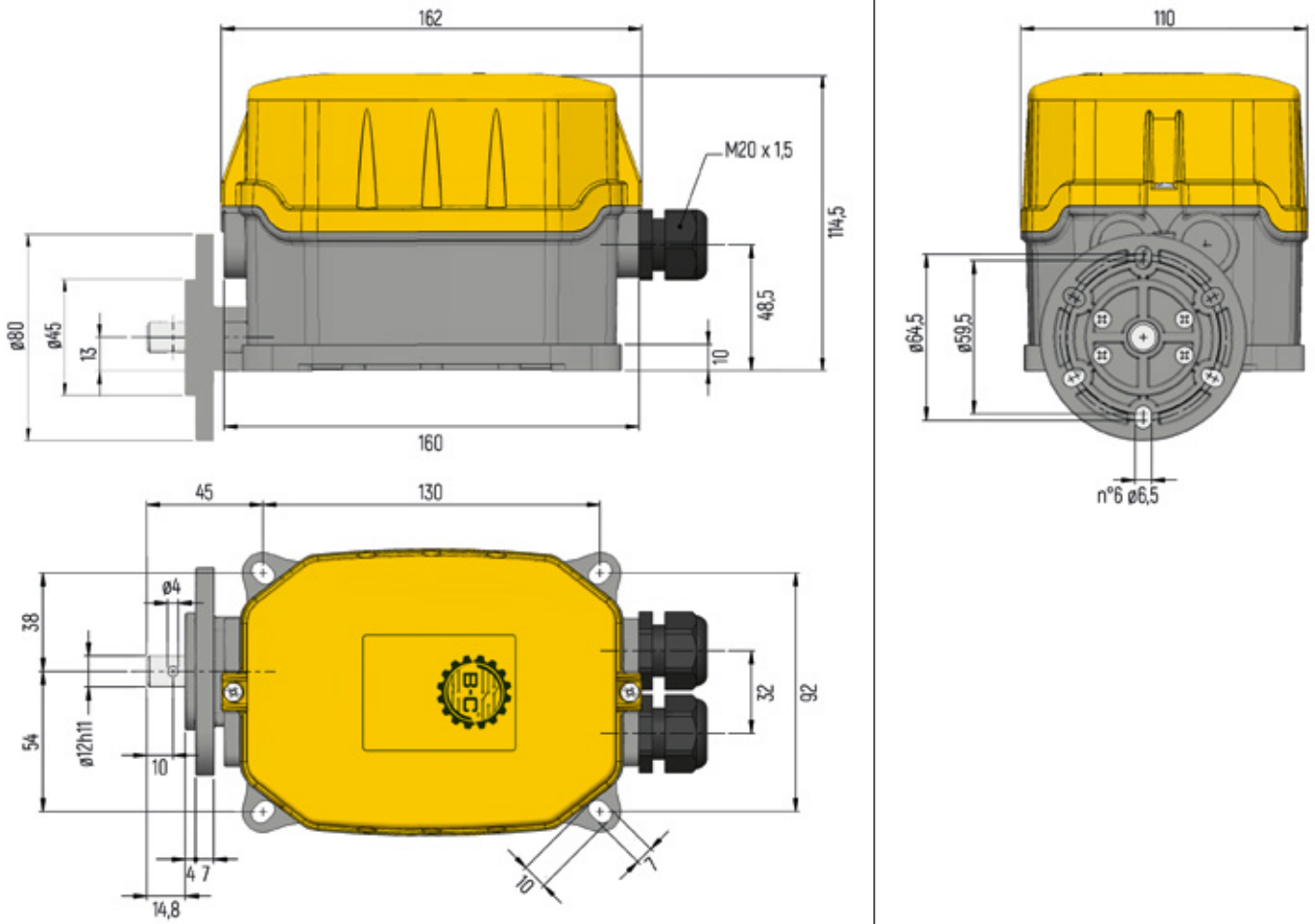


FRM



DIMENSIONS (in mm)

4 Contacts with small flange:

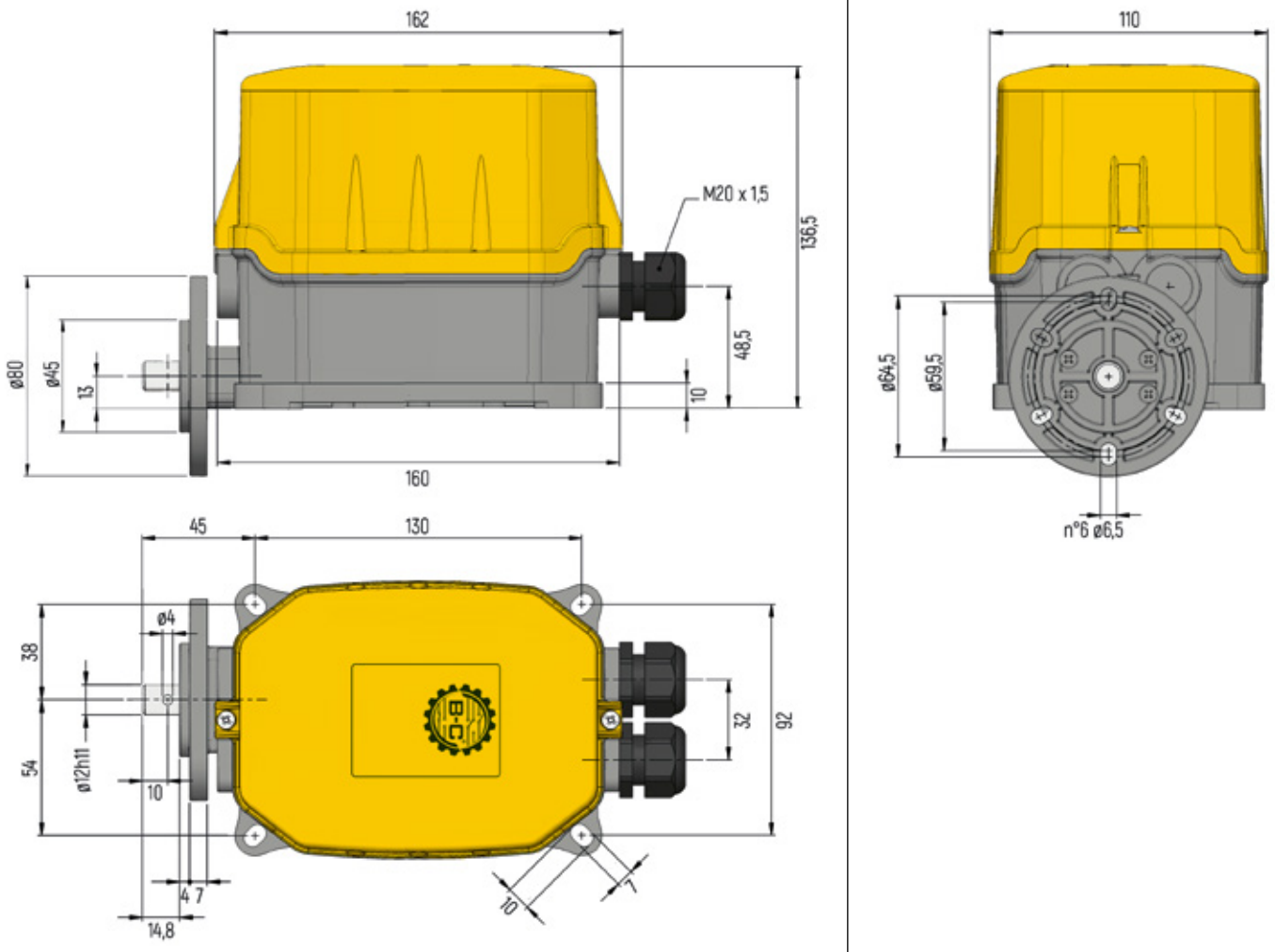


FRM



DIMENSIONS (in mm)

6 Contacts with small flange:

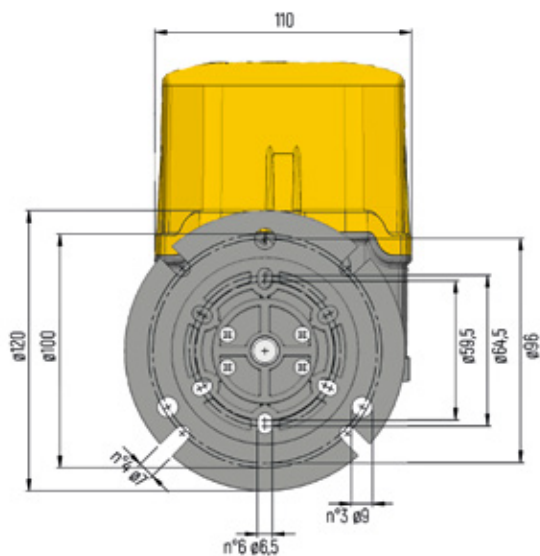
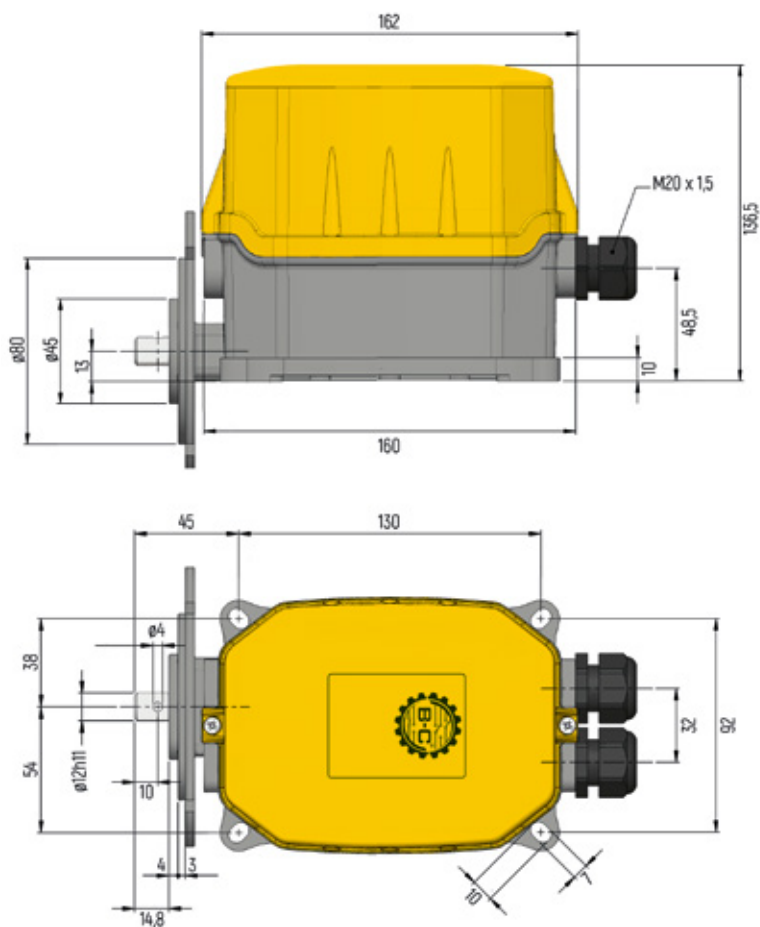


FRM



DIMENSIONS (in mm)

6 Contacts with flange:

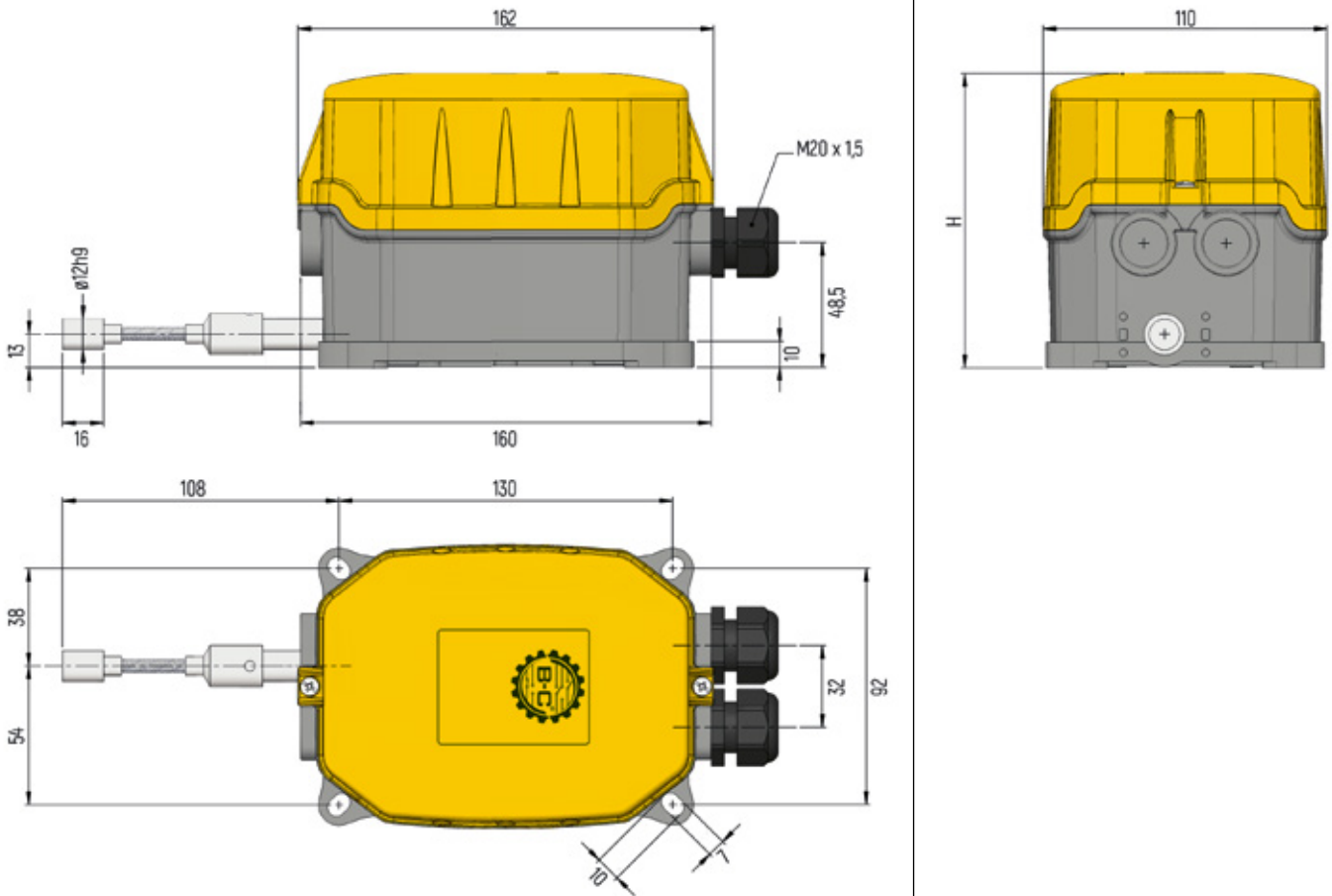


FRM



DIMENSIONS (in mm)

With flexible shaft:



FRM



DIMENSIONS (in mm)

With Male Connection:

