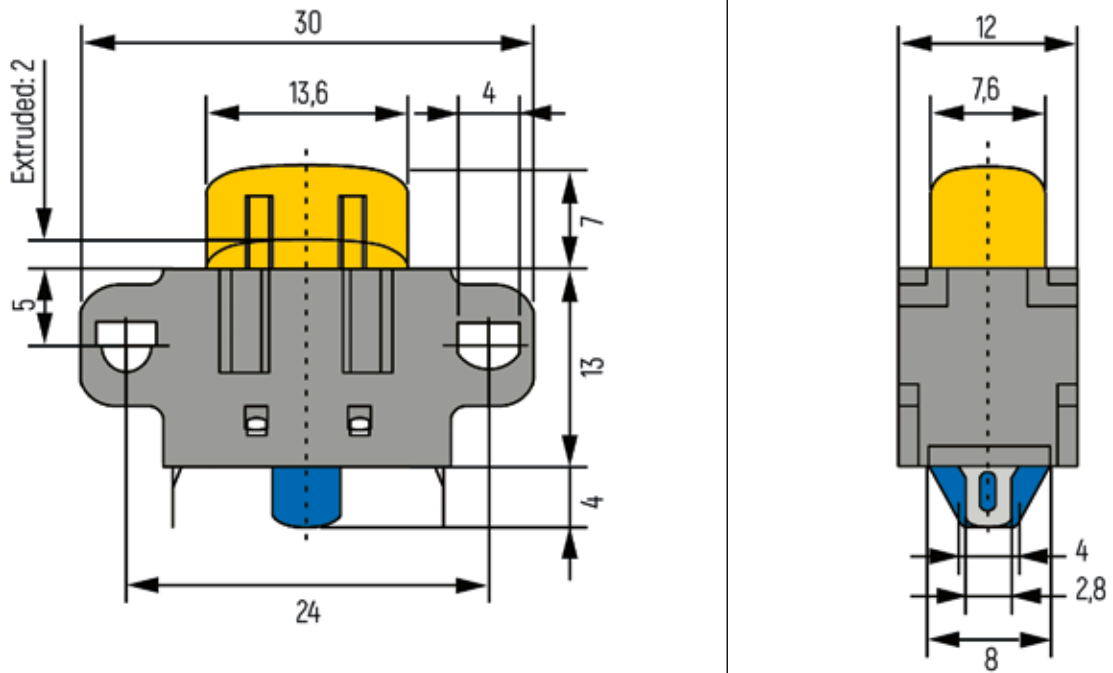


ZA1

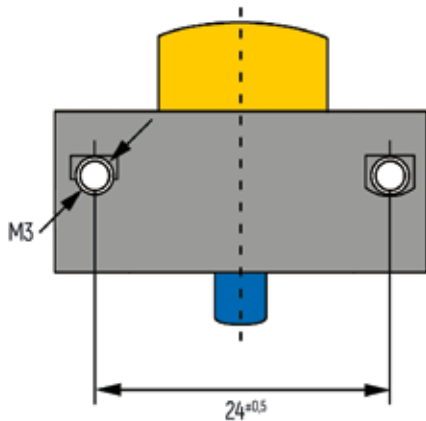


DIMENSIONS (in mm)



MOUNTING HOLE LAYOUT (in mm)

ZAK0-01 (Side mounting type)



ZAK0-02 (Top mounting type)

