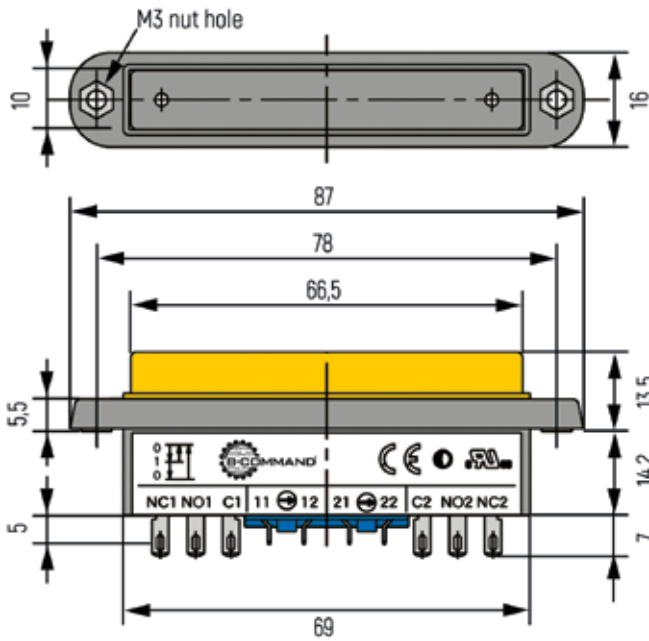


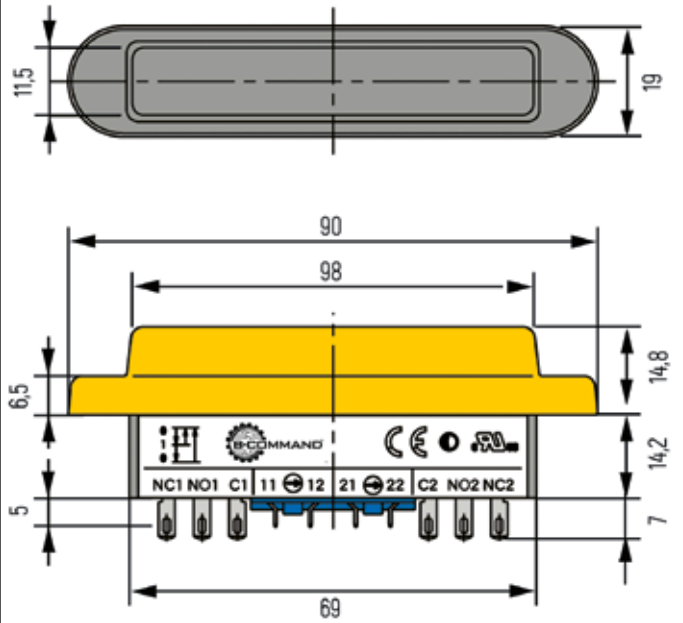
# ZA2

## DIMENSIONS (in mm)

Without rubber cap



With rubber cap



## MOUNTING HOLE LAYOUT (in mm)

