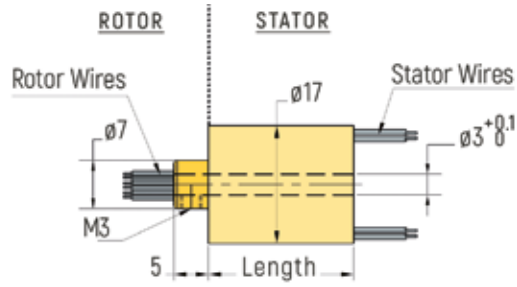


# THROUGH-BORE

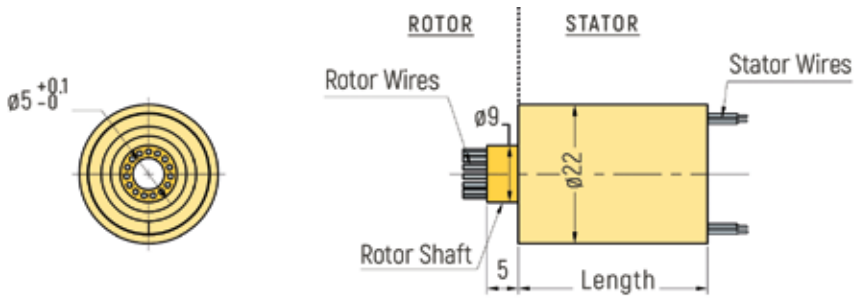
Inner Diameter			
<50mm	p.1	>100mm to 200mm	p.13
50mm to 100mm	p.9	>200mm to 300mm	p.15

**DIMENSIONS (in mm)**

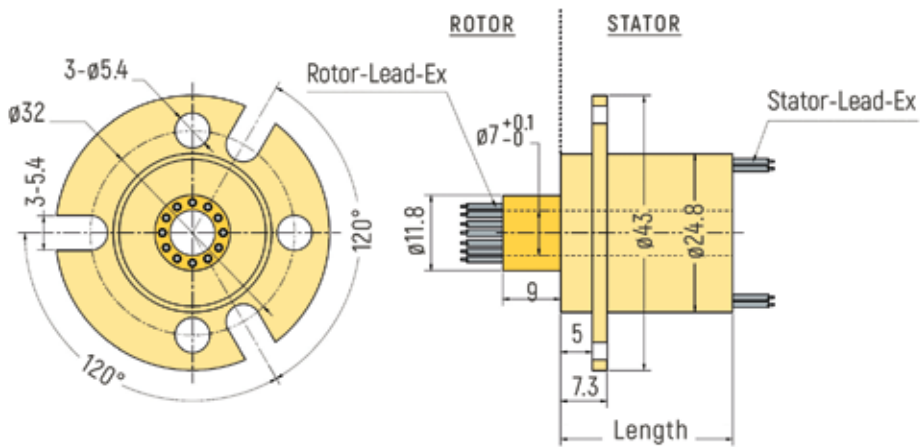
RX-HS003A - Inner Diameter 3mm



RX-HS005A - Inner Diameter 5mm



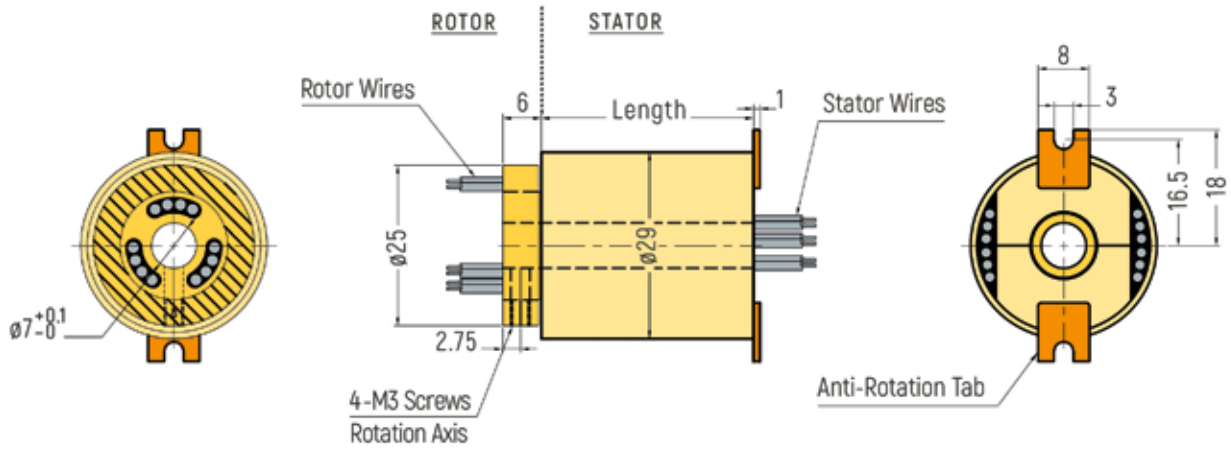
RX-HS007A - Inner Diameter 7mm



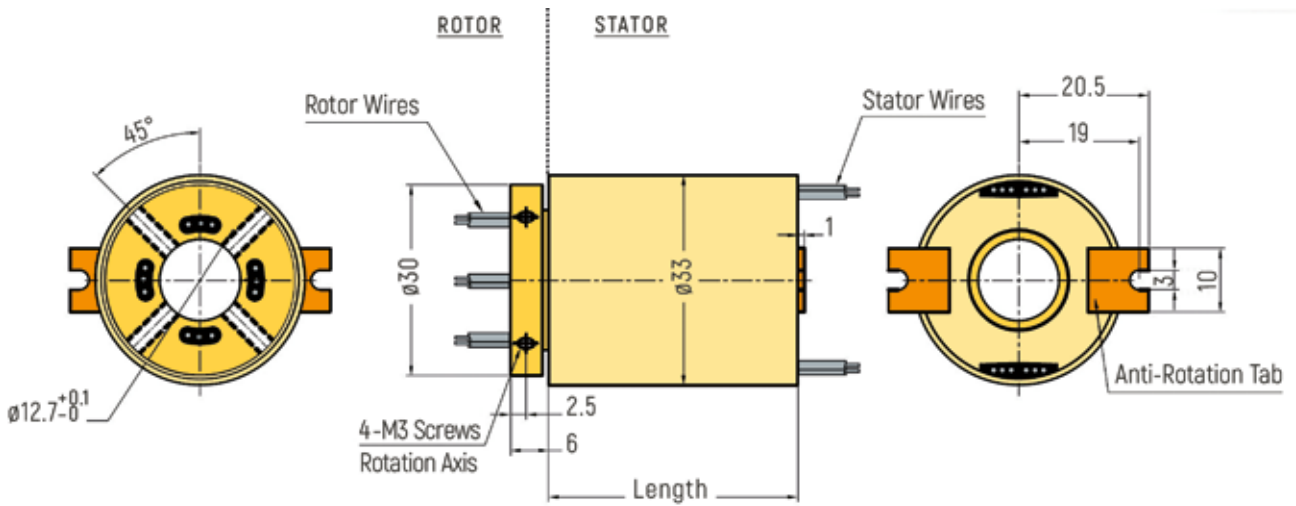
# THROUGH-BORE

**DIMENSIONS (in mm)**

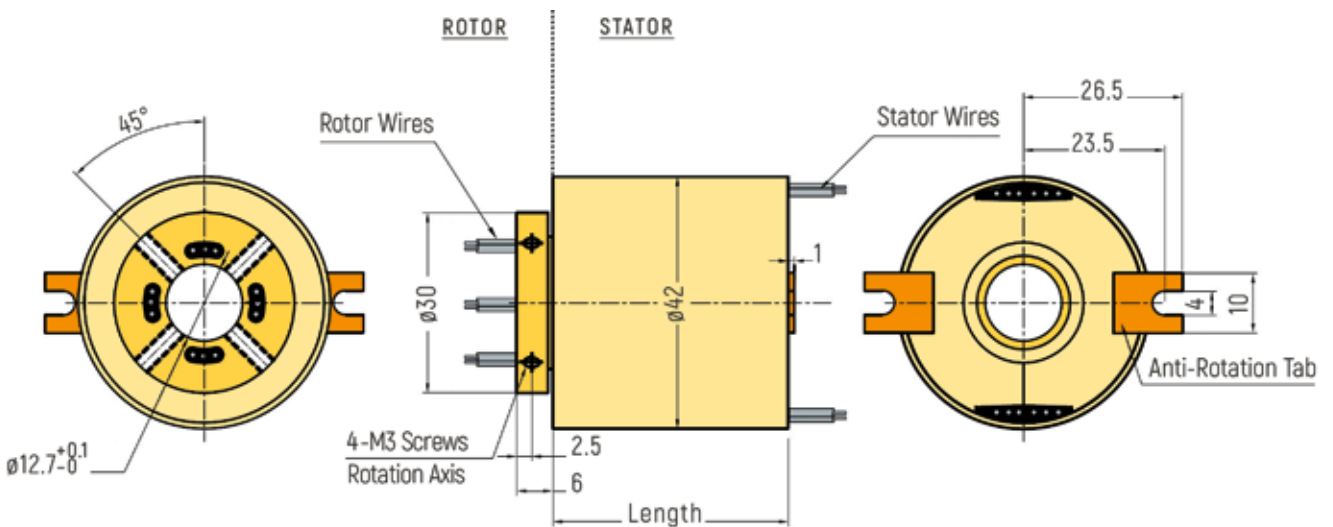
RX-HS007B - Inner Diameter 7mm



RX-HS012A - Inner Diameter 12,7mm



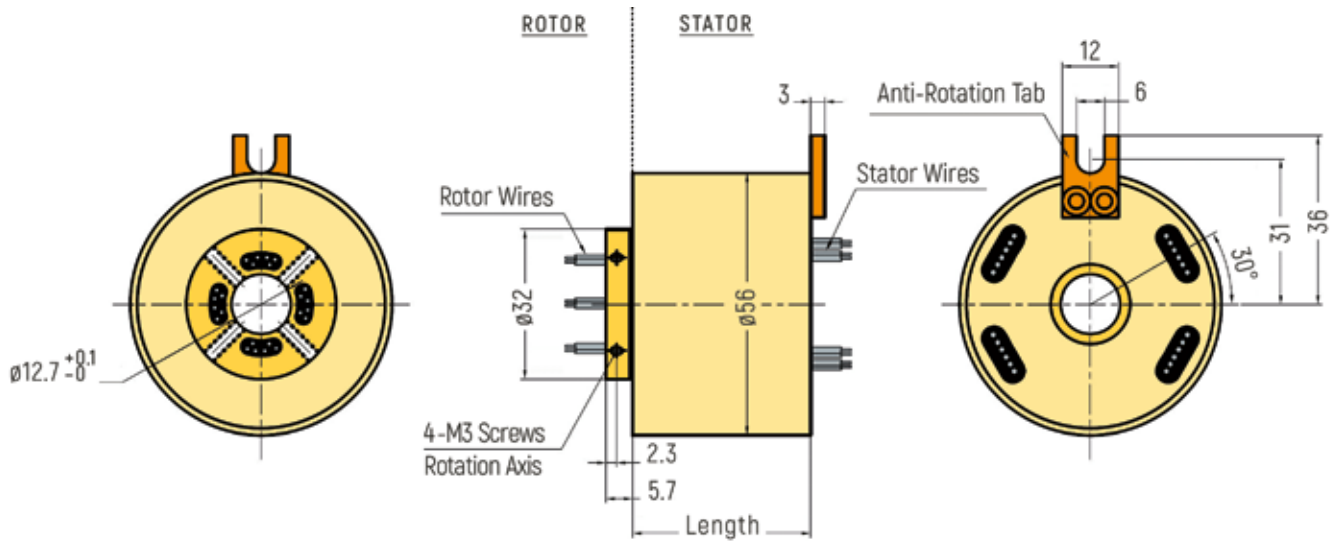
RX-HS012B - Inner Diameter 12,7mm



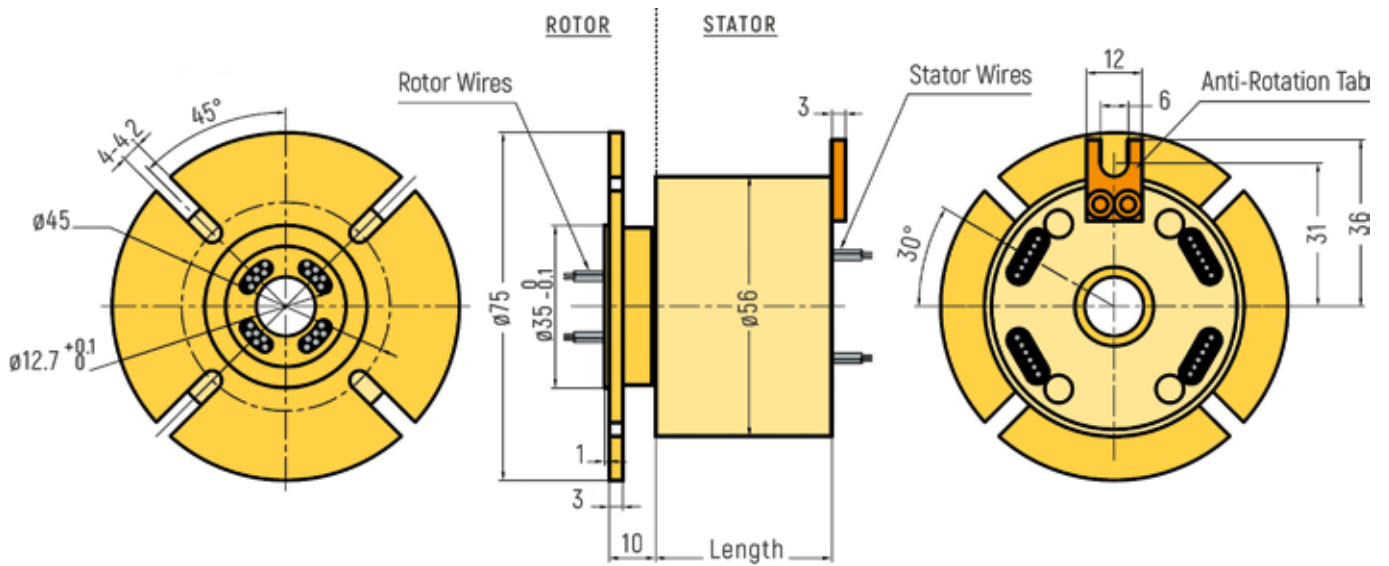
# THROUGH-BORE

**DIMENSIONS (in mm)**

RX-HS012C - Inner Diameter 12,7mm



RX-HS012C - Optional Flange Version (Drawing only exemplary, further details on request)

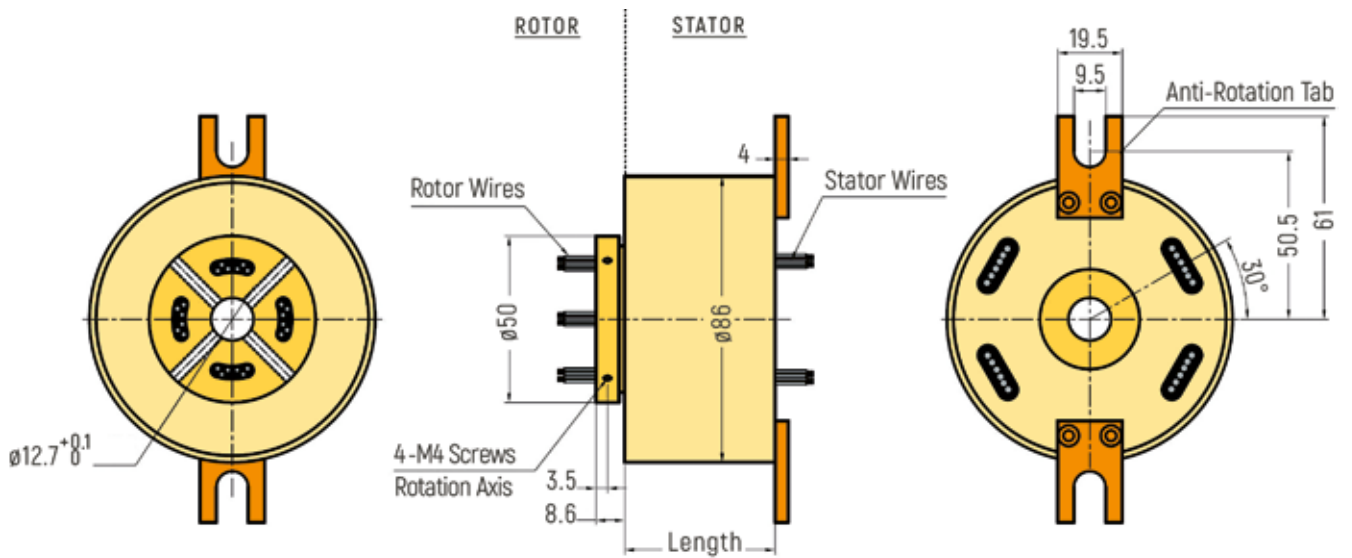


# THROUGH-BORE

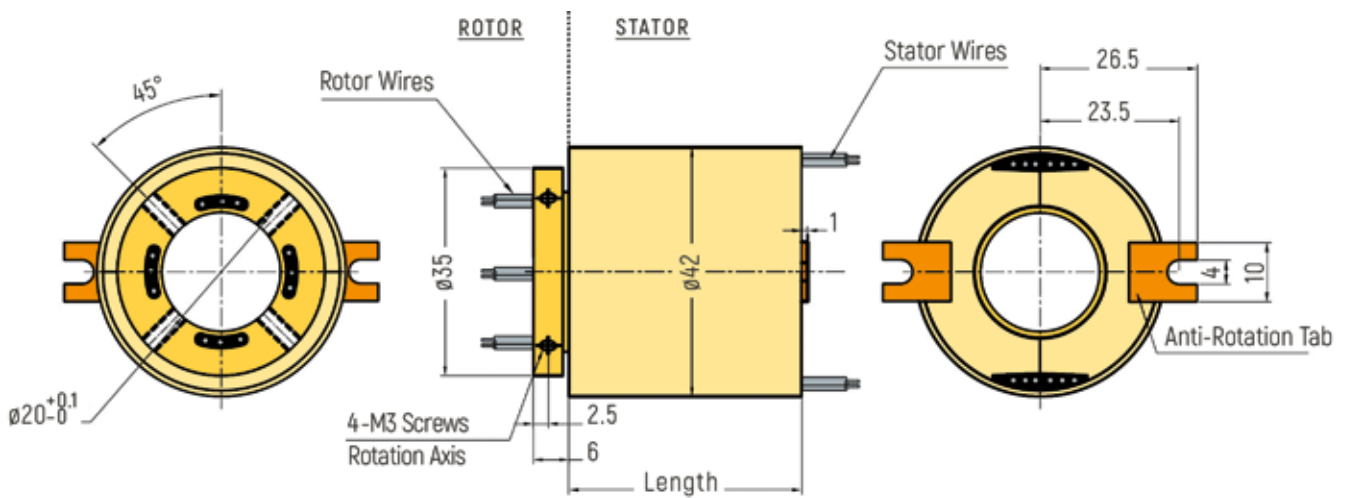


DIMENSIONS (in mm)

RX-HS012D - Inner Diameter 12,7mm



RX-HS020A - Inner Diameter 20mm

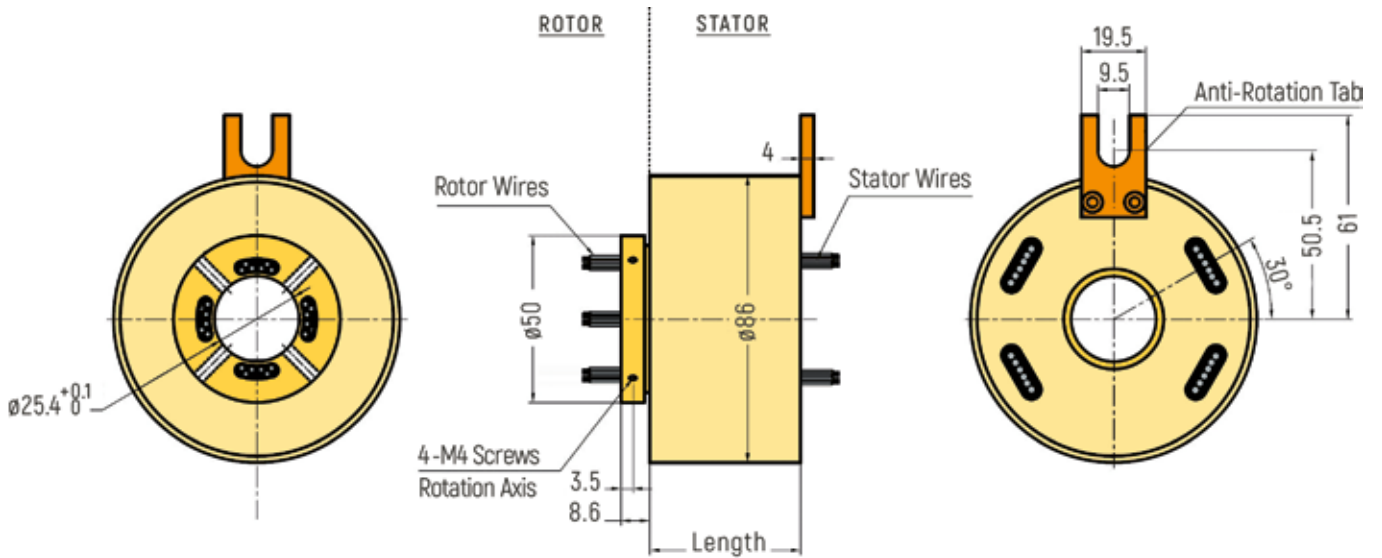




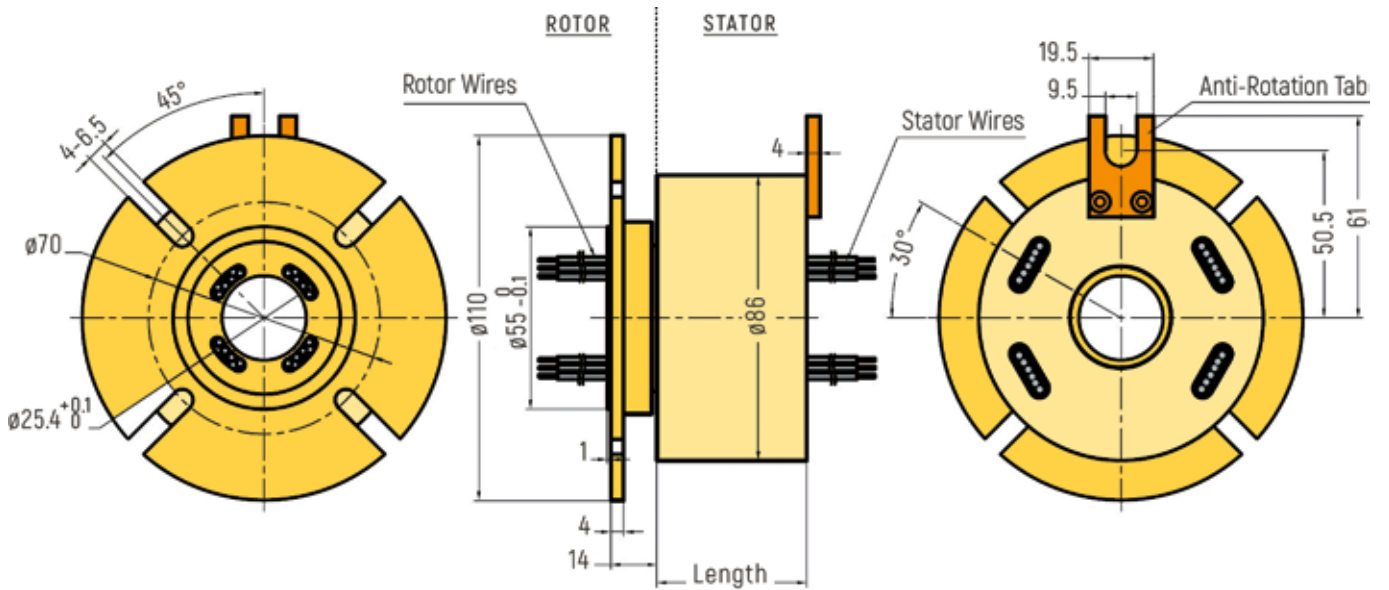
# THROUGH-BORE

**DIMENSIONS (in mm)**

RX-HS025A - Inner Diameter 25,4mm



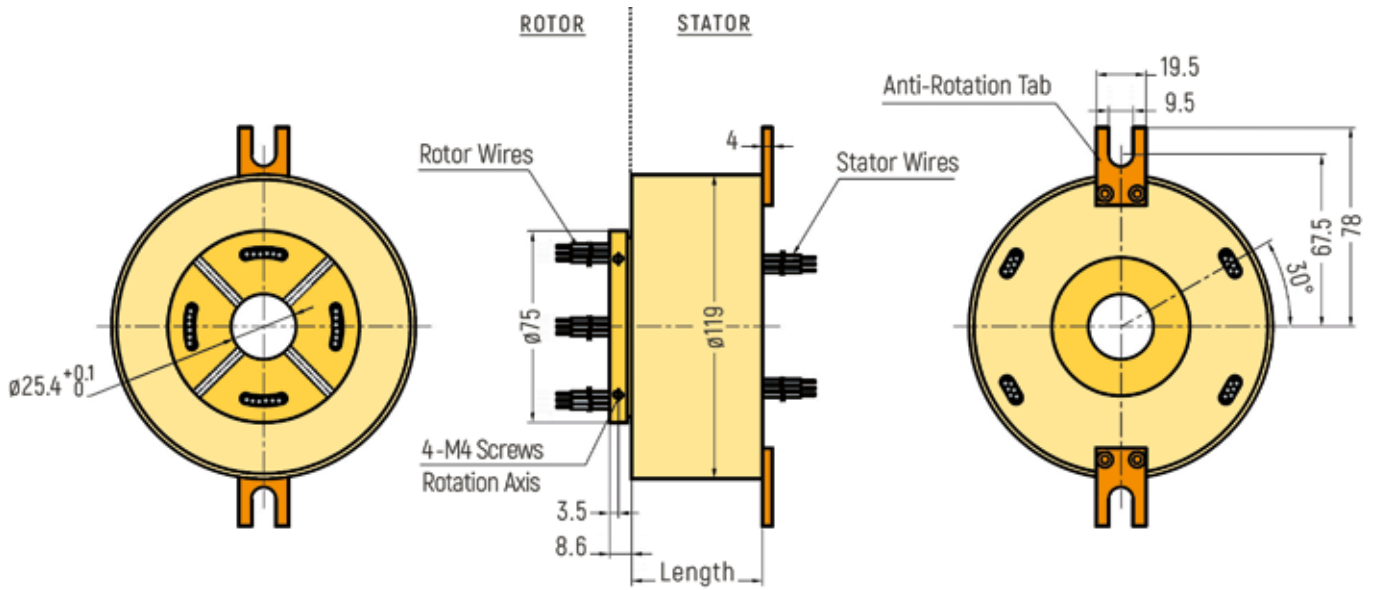
RX-HS025A - Optional Flange Version (Drawing only exemplary, further details on request)



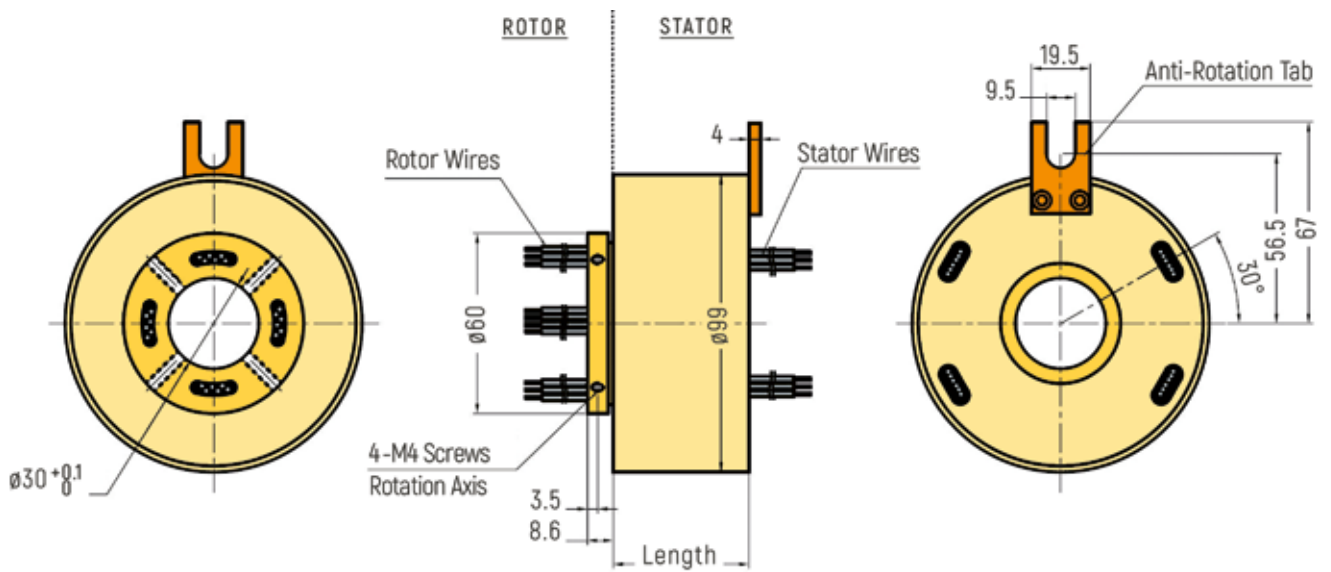
# THROUGH-BORE

**DIMENSIONS (in mm)**

RX-HS025B - Inner Diameter 25,4mm



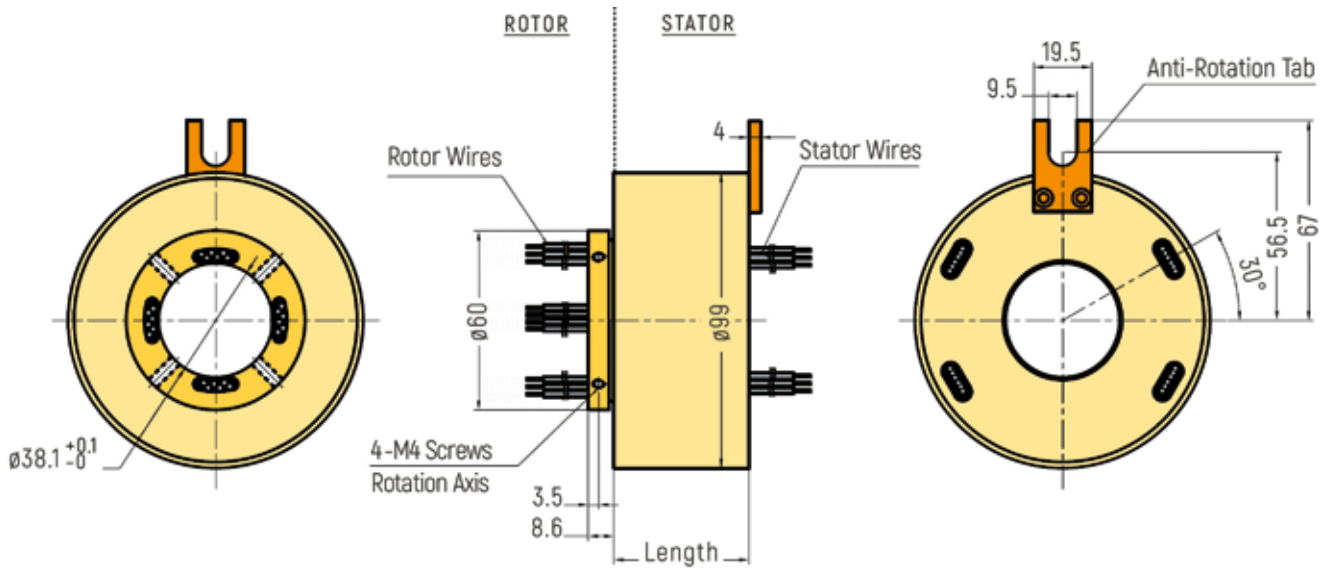
RX-HS030A - Inner Diameter 30mm



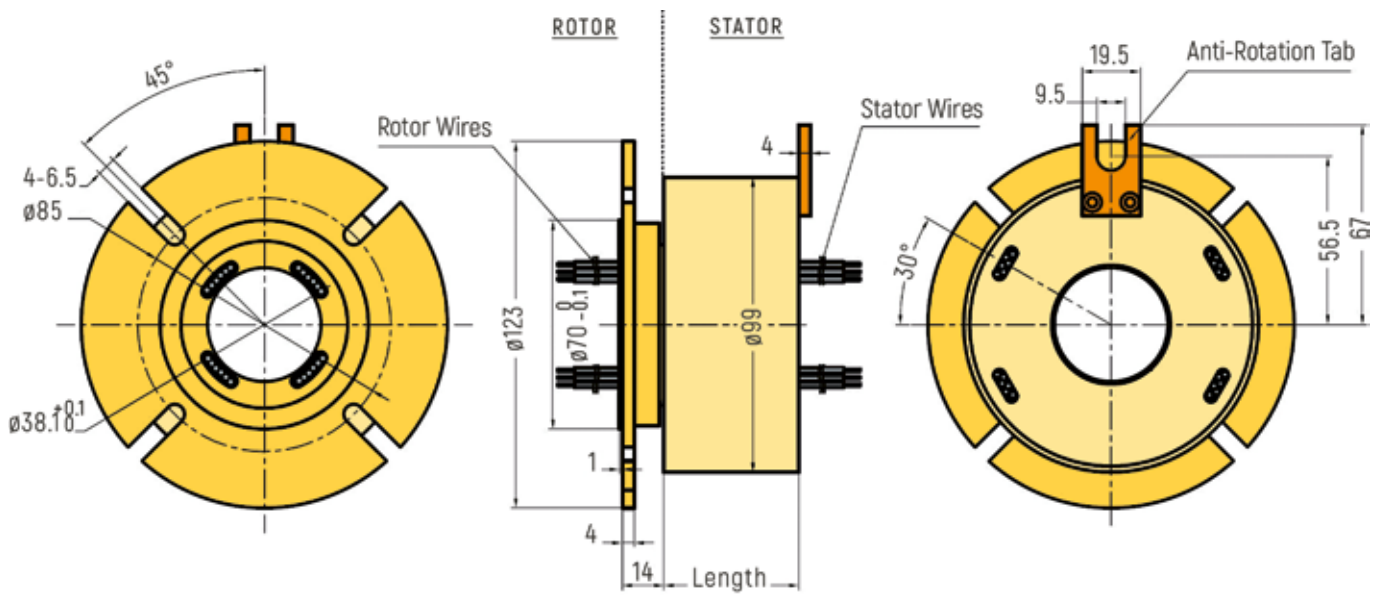
# THROUGH-BORE

**DIMENSIONS (in mm)**

RX-HS038A - Inner Diameter 38mm



RX-HS038A - Optional Flange Version (Drawing only exemplary, further details on request)

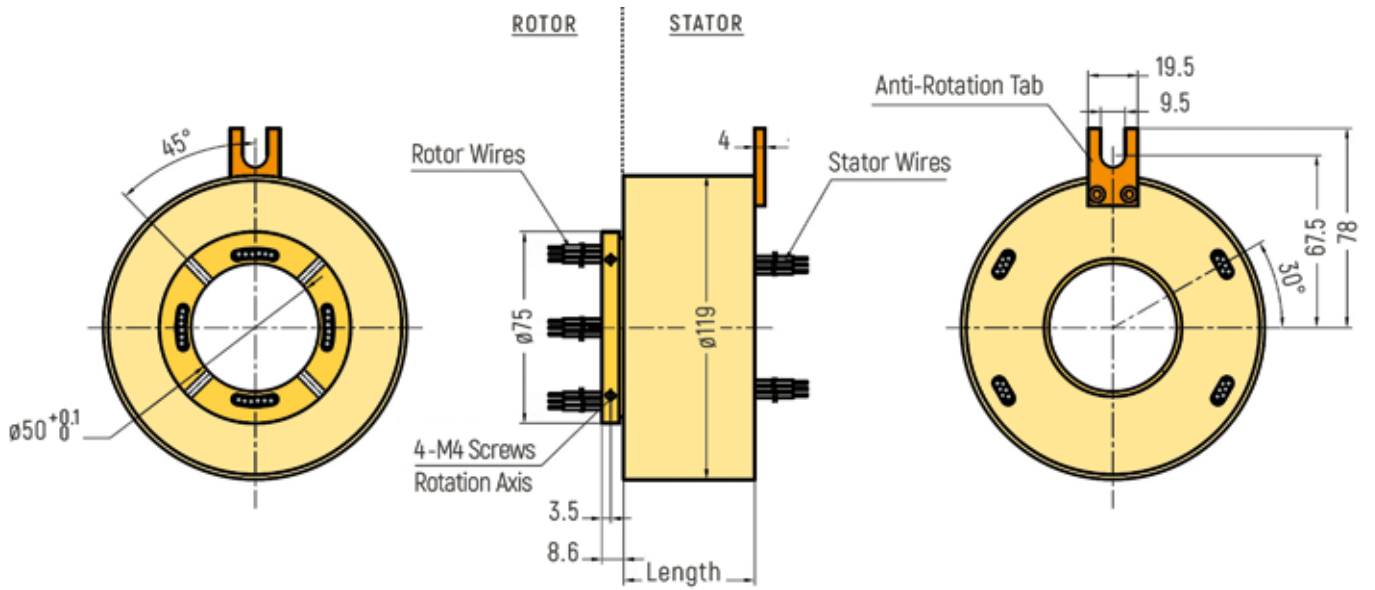




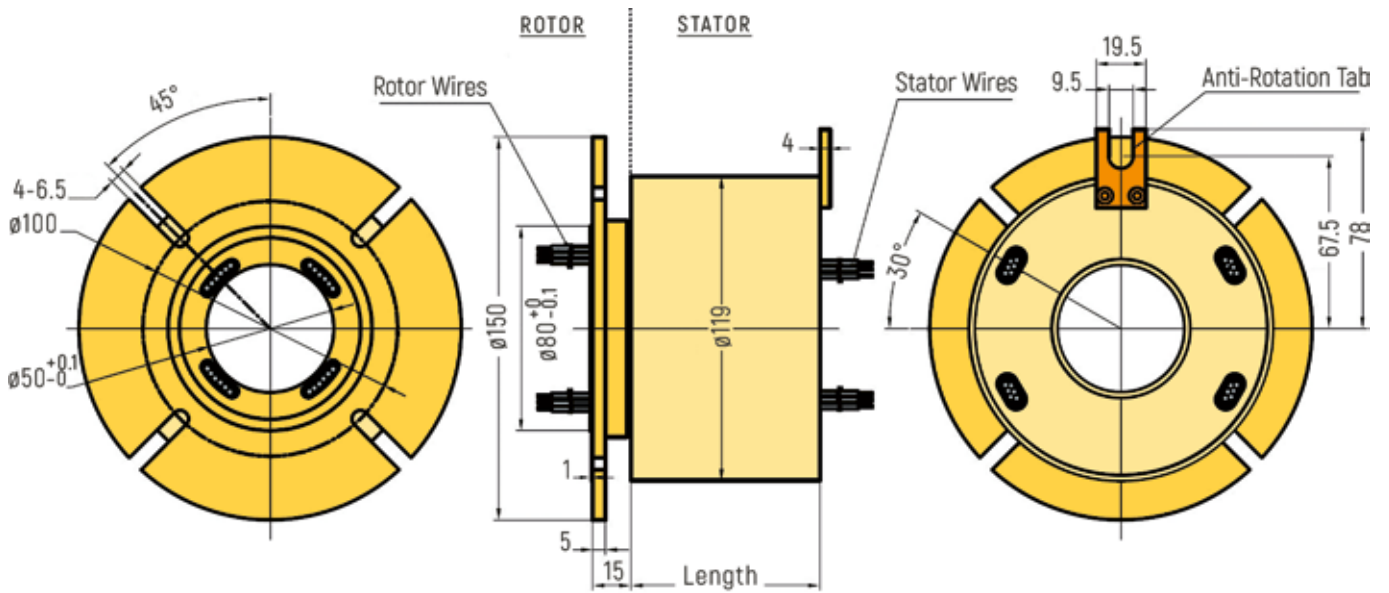
# THROUGH-BORE

**DIMENSIONS (in mm)**

RX-HS050A - Inner Diameter 50mm



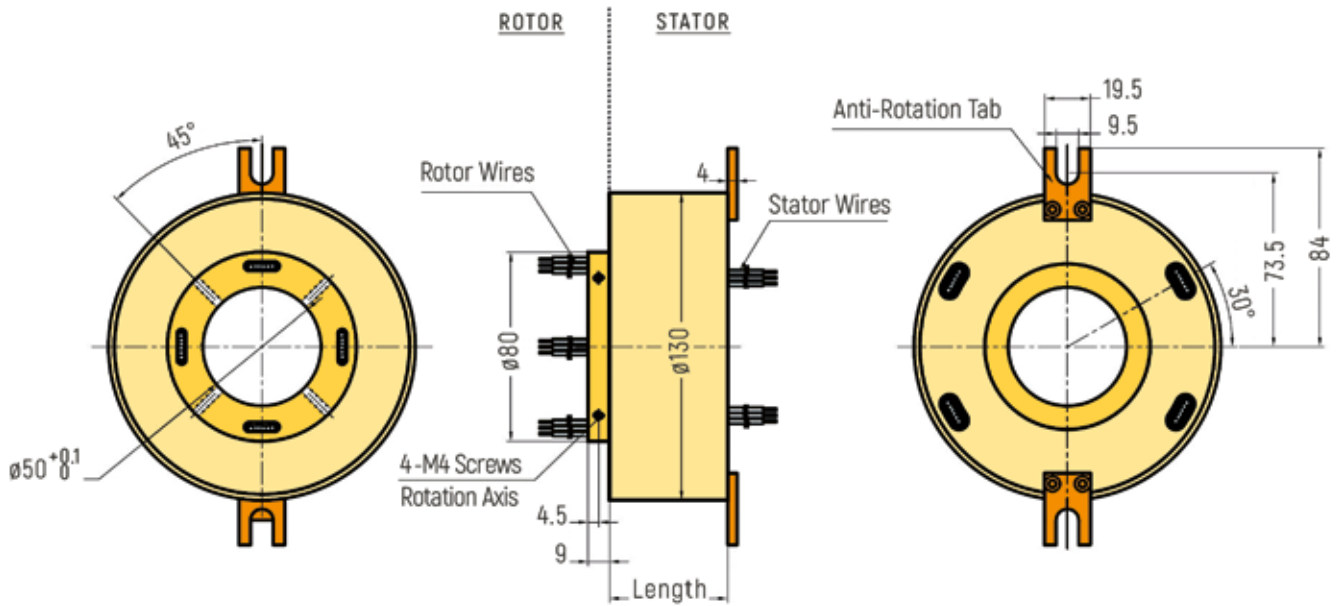
RX-HS050A - Optional Flange Version (Drawing only exemplary, further details on request)



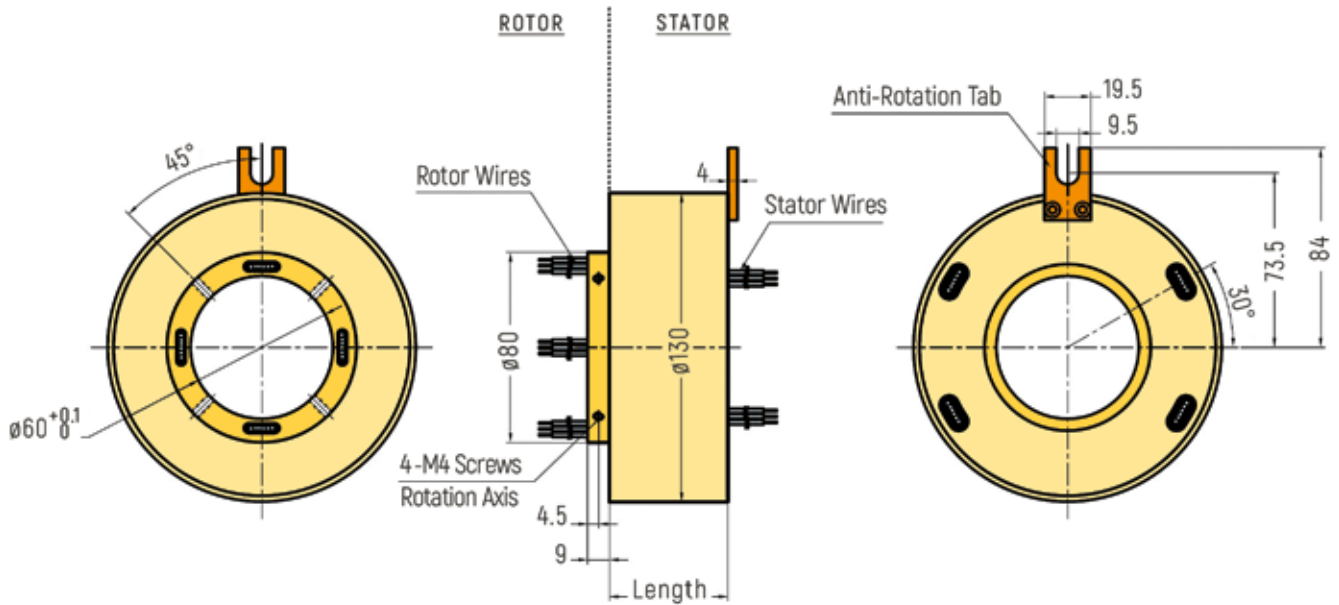
# THROUGH-BORE

**DIMENSIONS (in mm)**

RX-HS050B - Inner Diameter 50mm



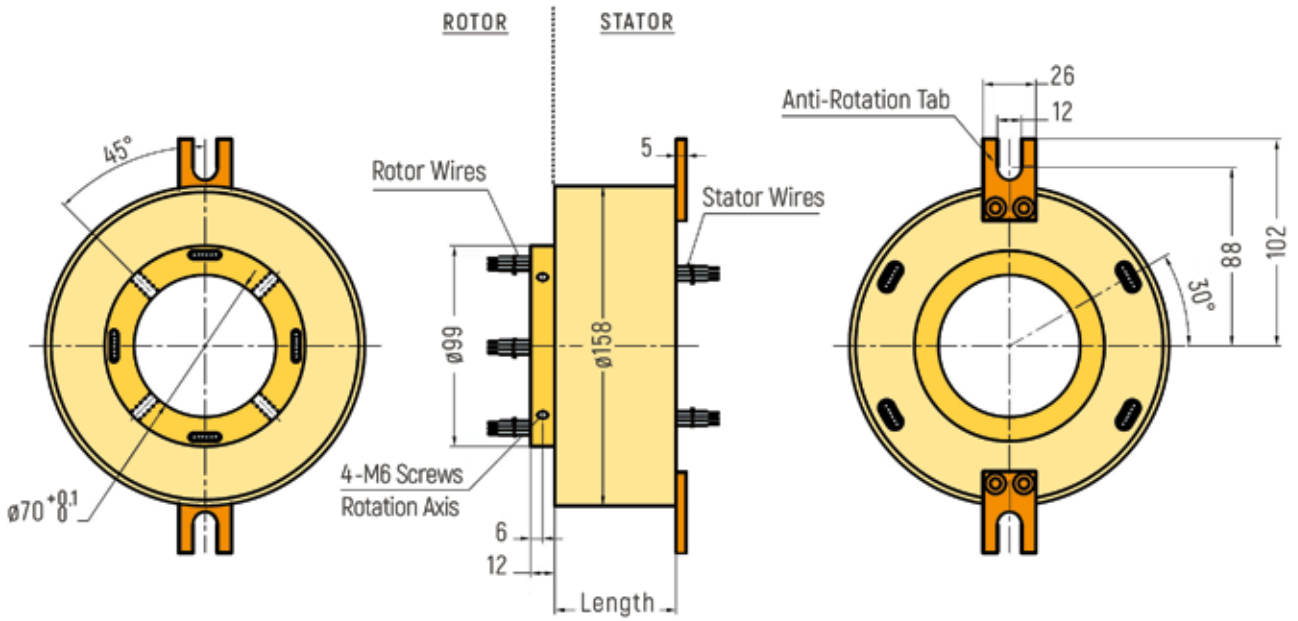
RX-HS060A - Inner Diameter 60mm



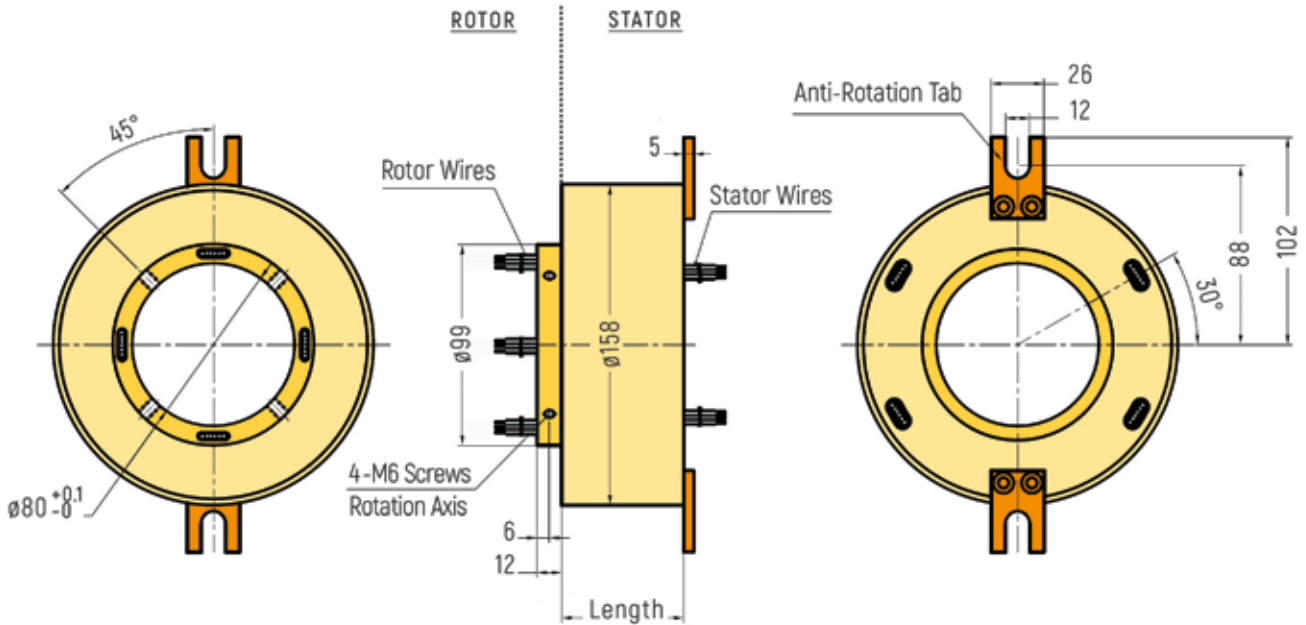
# THROUGH-BORE

**DIMENSIONS (in mm)**

RX-HS070A - Inner Diameter 70mm



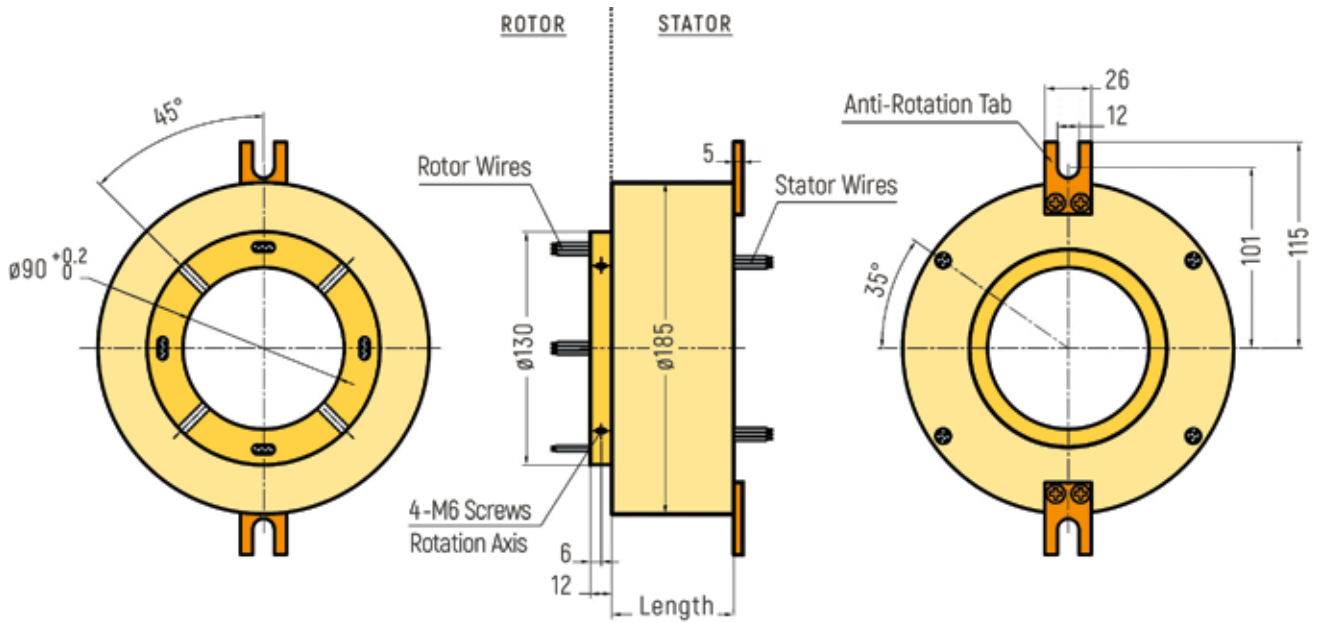
RX-HS080A - Inner Diameter 80mm



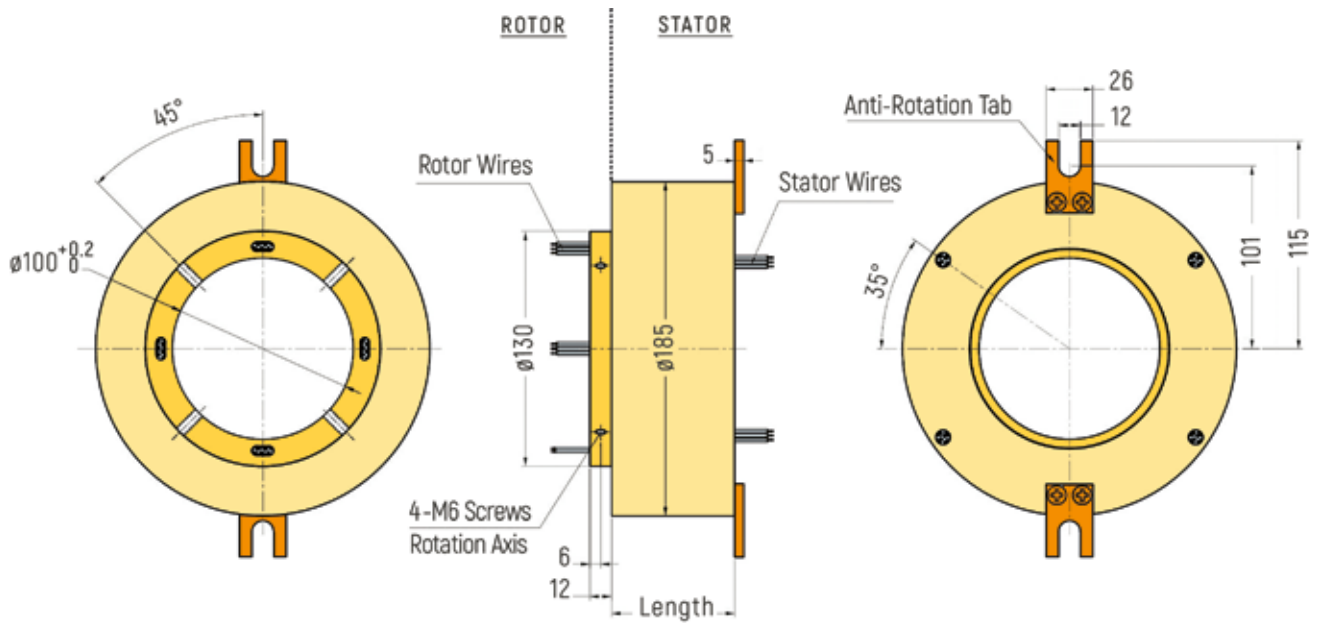
# THROUGH-BORE

**DIMENSIONS (in mm)**

RX-HS090A - Inner Diameter 90mm



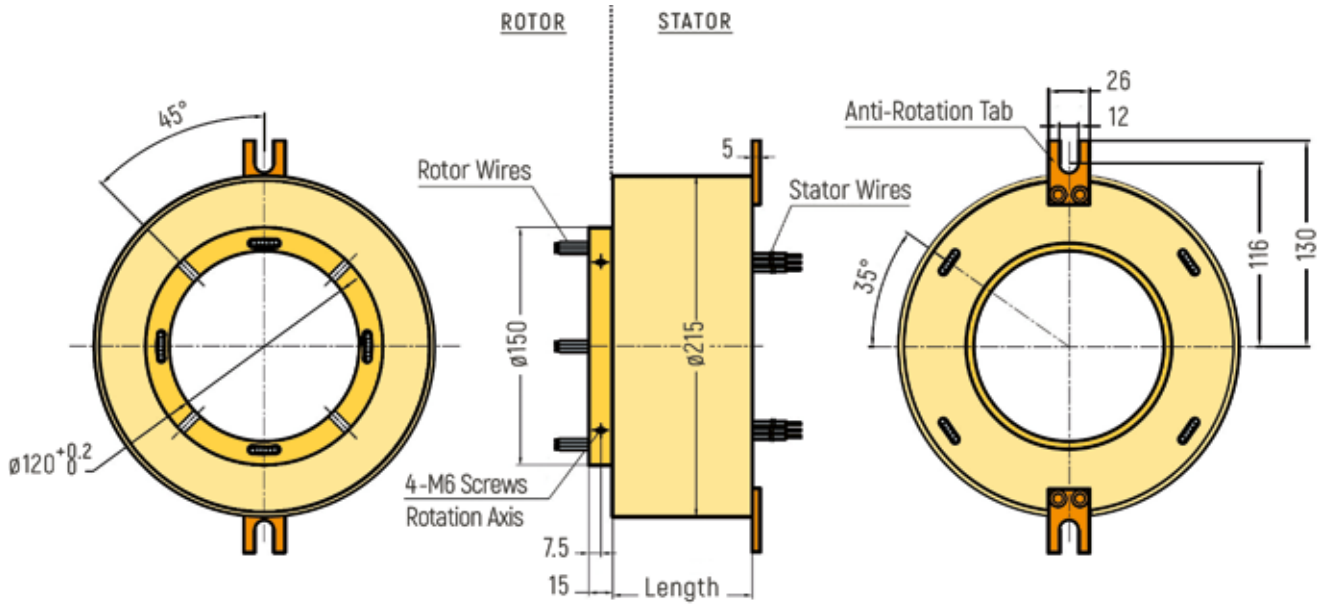
RX-HS100A - Inner Diameter 100mm



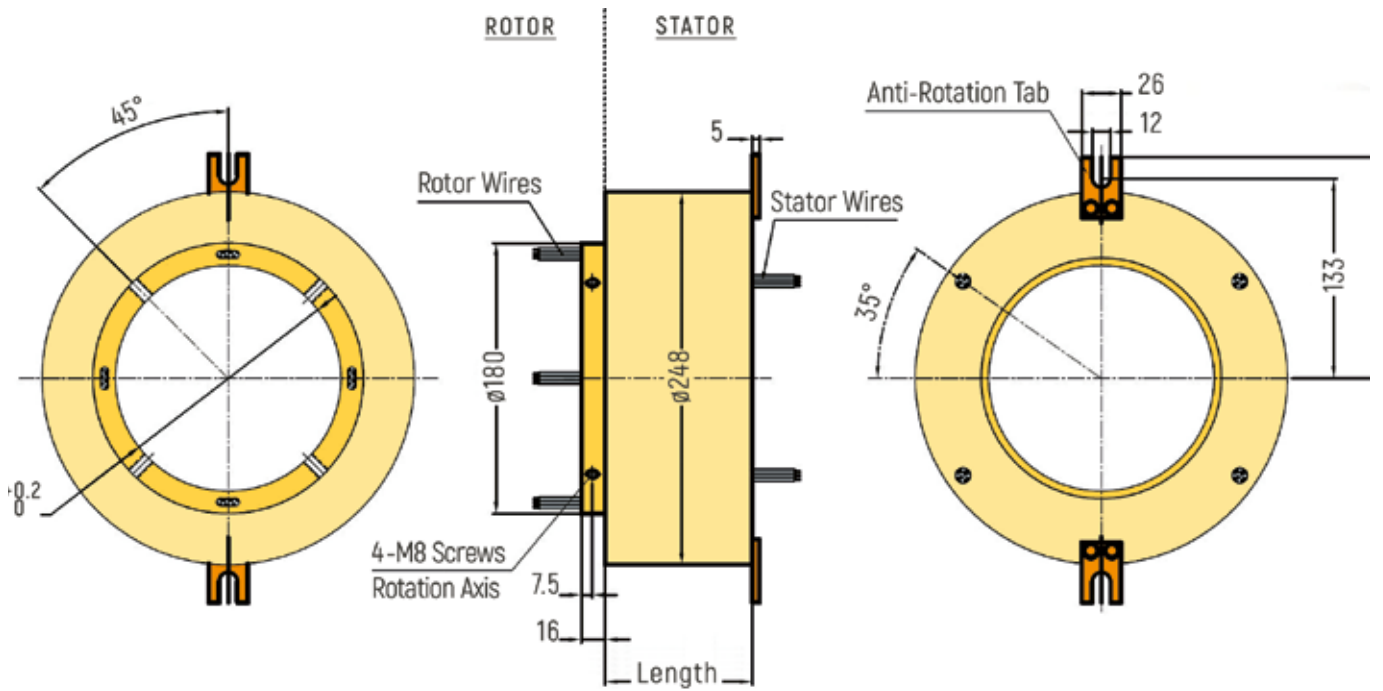
# THROUGH-BORE

**DIMENSIONS (in mm)**

RX-HS120A - Inner Diameter 120mm



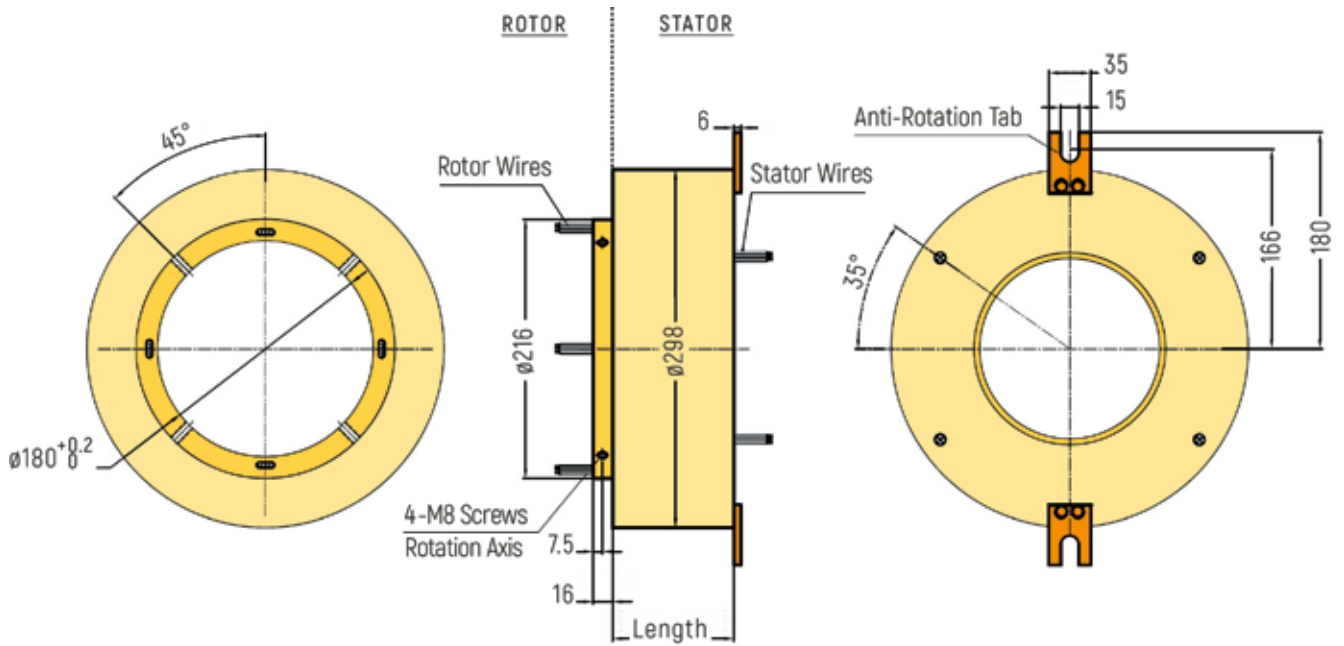
RX-HS150A - Inner Diameter 150mm



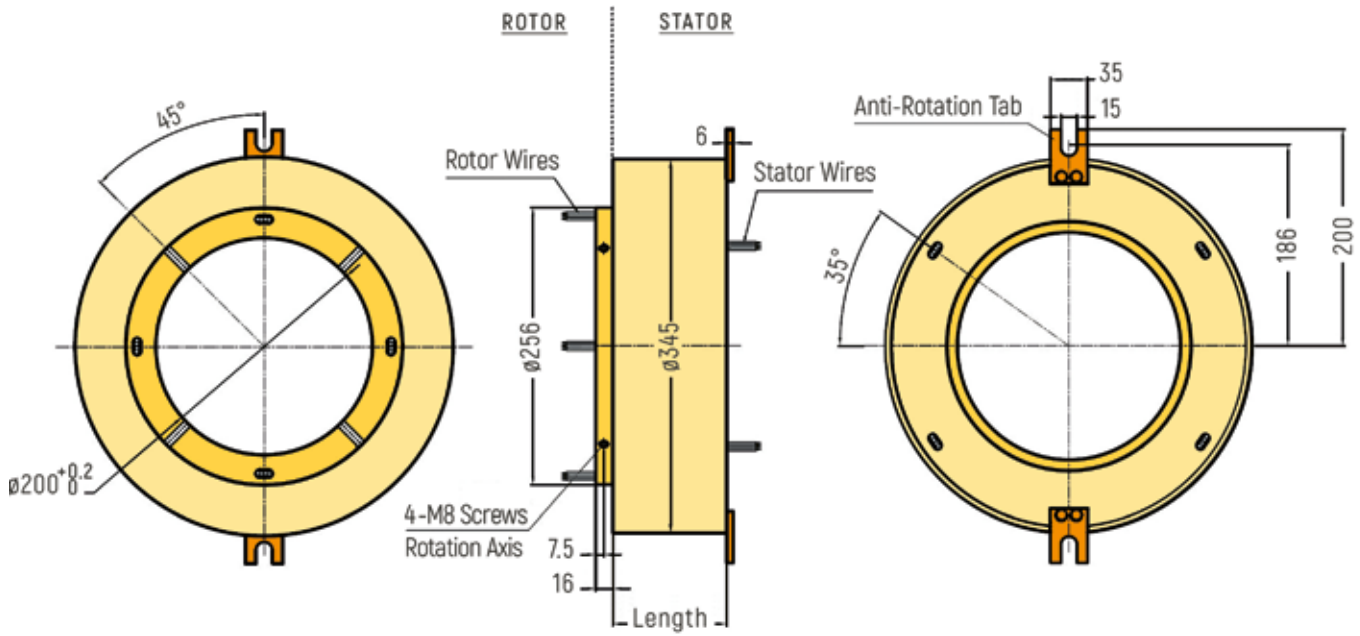
# THROUGH-BORE

**DIMENSIONS (in mm)**

RX-HS180A - Inner Diameter 180mm



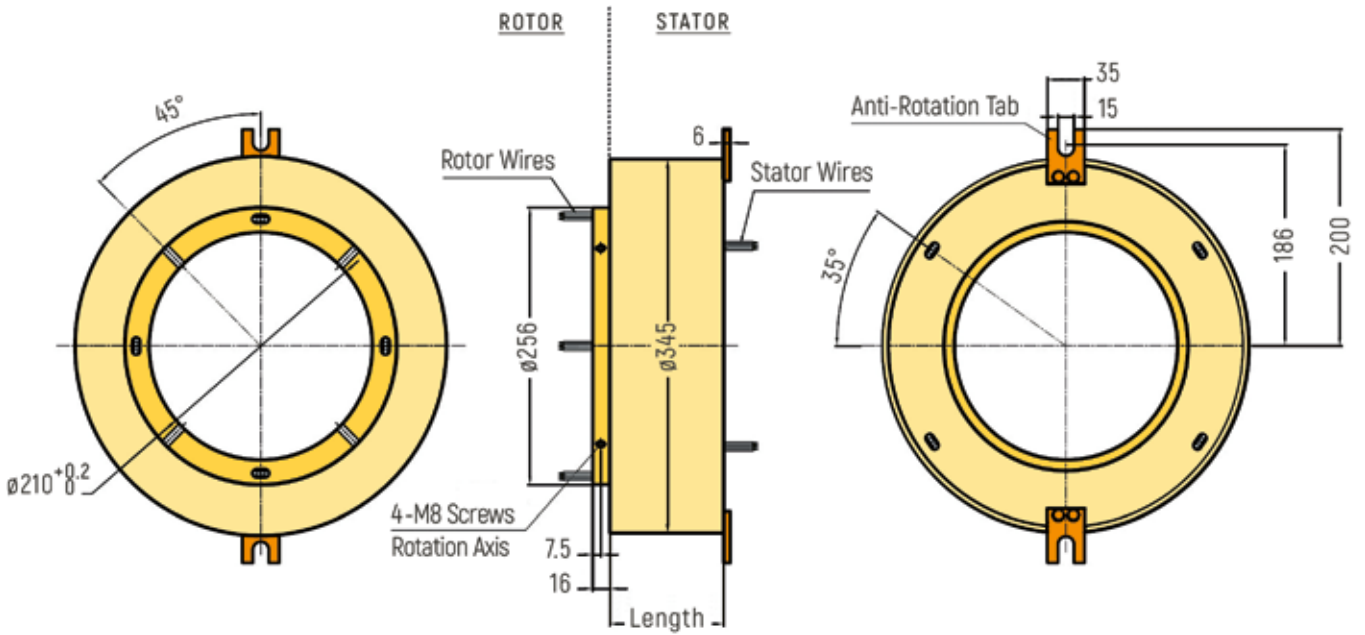
RX-HS200A - Inner Diameter 200mm



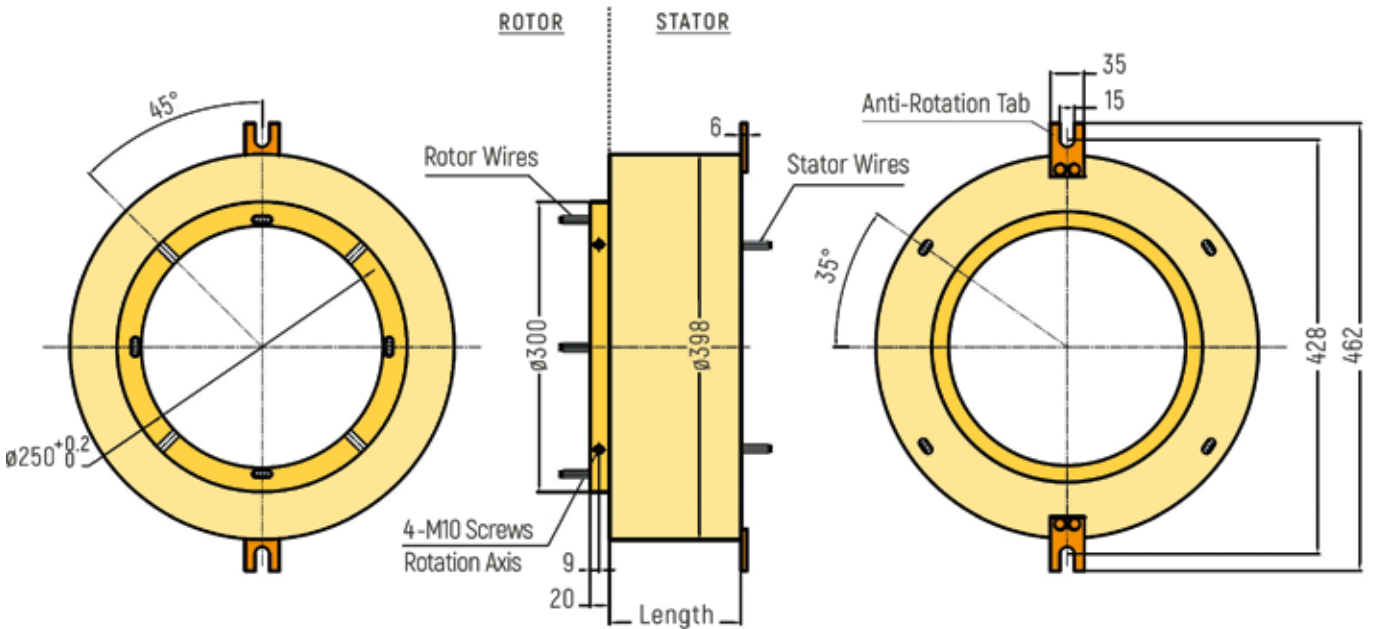
# THROUGH-BORE

**DIMENSIONS (in mm)**

RX-HS210A - Inner Diameter 210mm



RX-HS250A - Inner Diameter 250mm



# THROUGH-BORE



DIMENSIONS (in mm)

RX-HS300A - Inner Diameter 300mm

