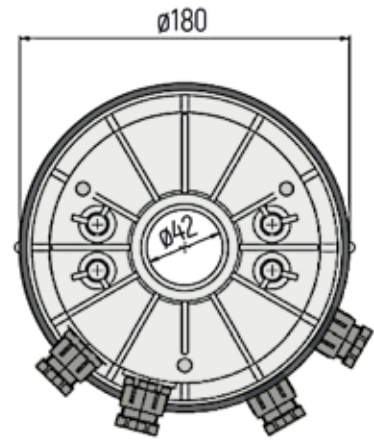
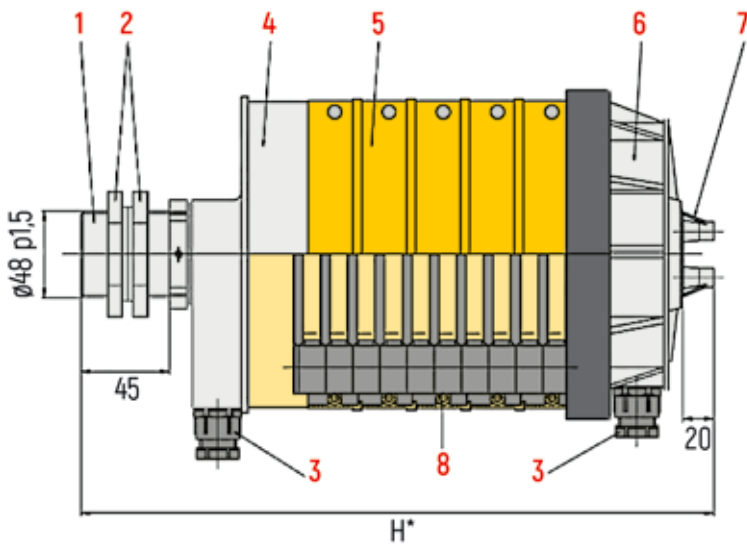


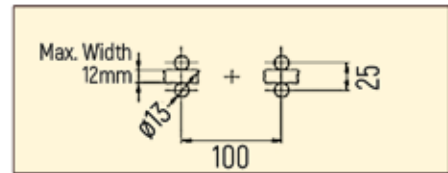
PRP



DIMENSIONS (in mm)



Mounting System



Distance fixing bolts

H	P	Same module sizes			Mixed versions		
		20A-Version	30A-Version	50A-Version	30A	20A	Total rings
260	60	6	4	-	-	-	-
290	90	9	6	4	4	3	7
320	120	12	8	-	4	6	10
350	150	15	10	-	4	9	13
380	180	18	12	8	4	12	16
410	210	21	14	-	4	15	19
440	240	24	16	12	4	18	22
470	270	27	18	-	4	21	25
500	300	30	20	-	4	24	28
530	330	33	22	-	4	27	31
560	360	36	24	-	4	30	34

- 1 Central transfer pipe
- 2 Counter locknuts
- 3 Cable Screw Glands
- 4 Housing end-piece bottom
- 5 Modular thermoplastic segments
- 6 Housing end-piece top
- 7 Fixation bolts, torque stop
- 8 Screw terminals brushes