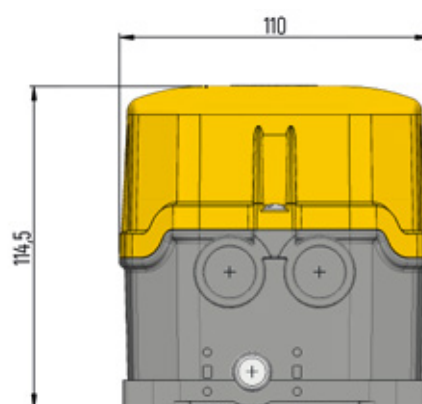
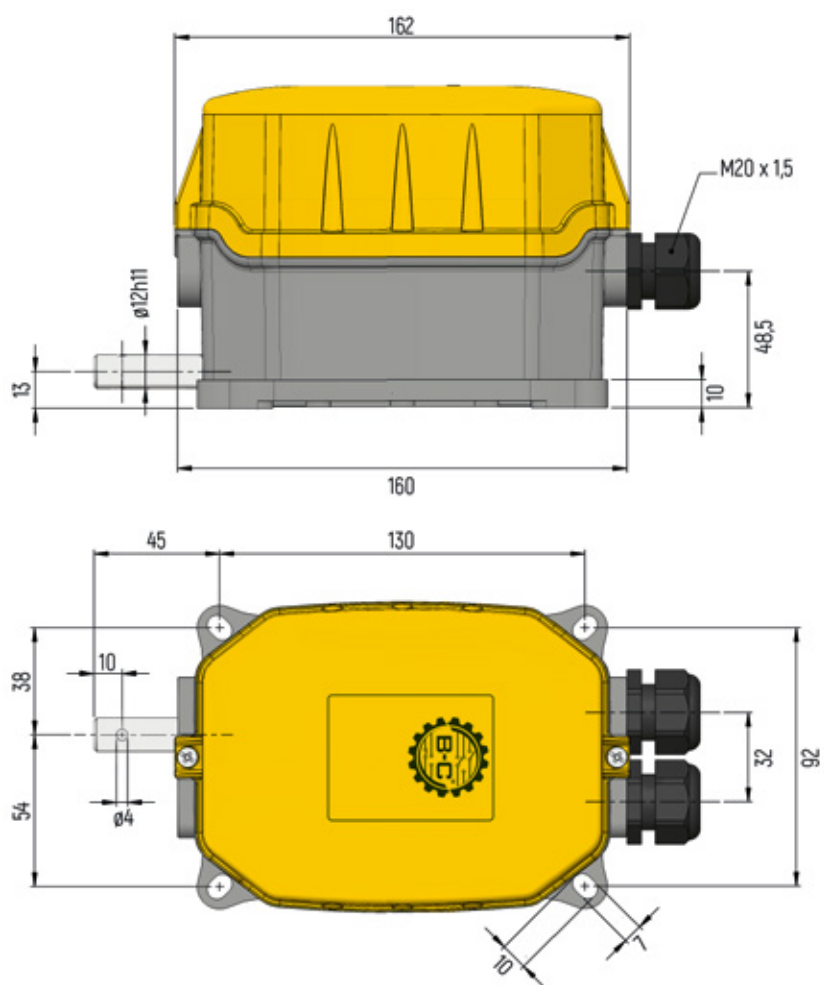


# FRM



DIMENSIONS (in mm)

4 Contacts:

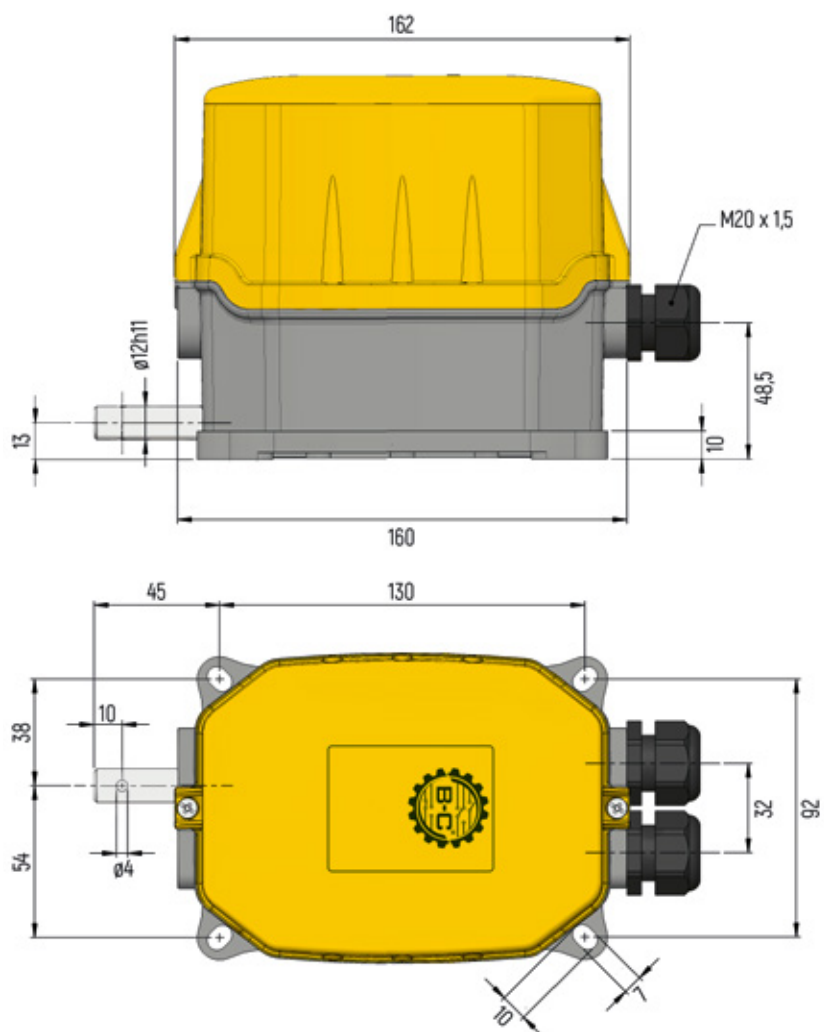


# FRM



DIMENSIONS (in mm)

6 Contacts:

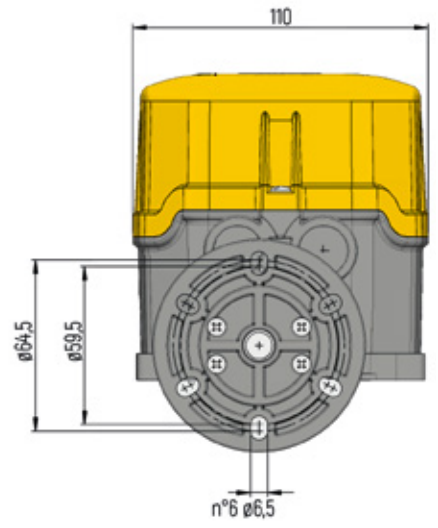
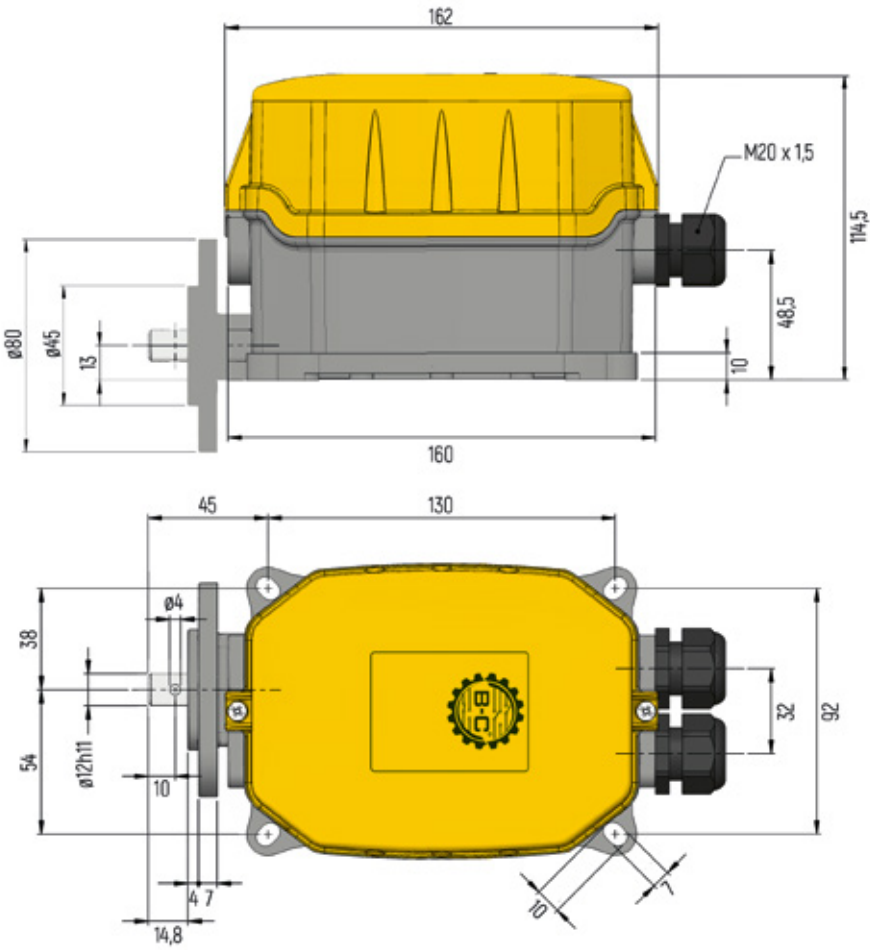


# FRM



DIMENSIONS (in mm)

4 Contacts with small flange:

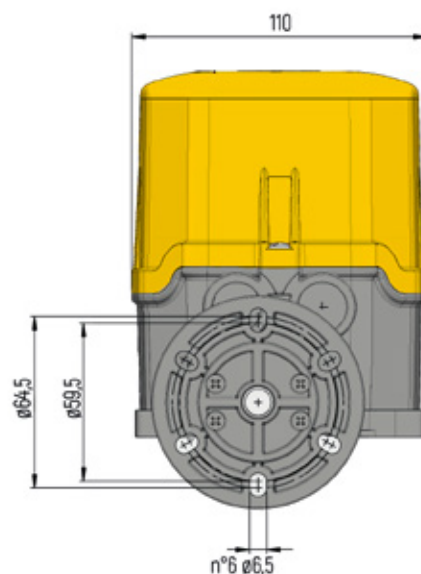
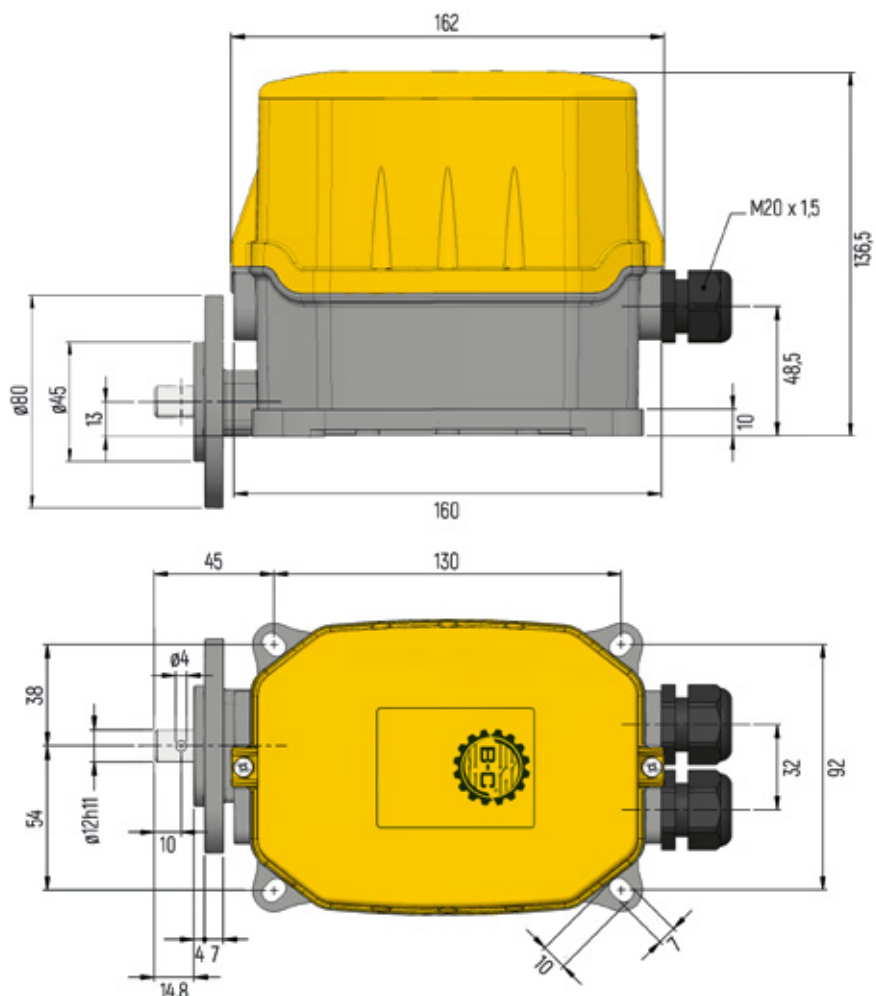


# FRM



DIMENSIONS (in mm)

6 Contacts with small flange:

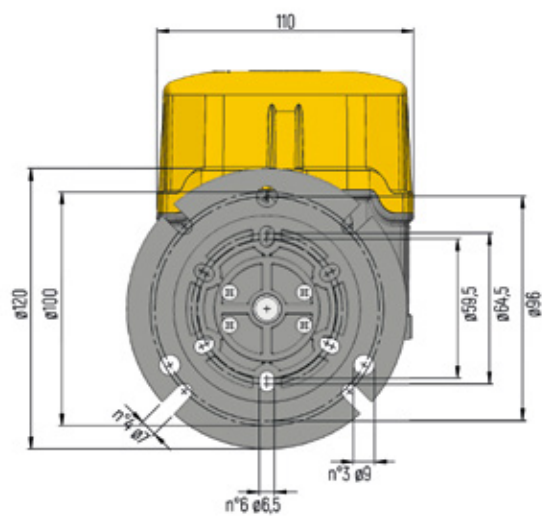
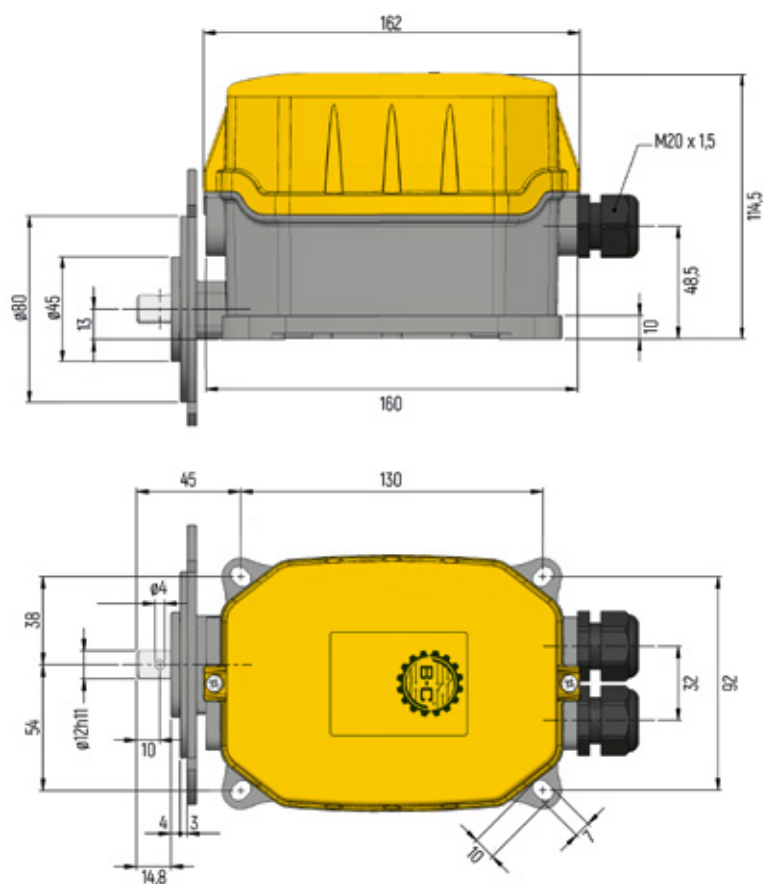


# FRM



DIMENSIONS (in mm)

4 Contacts with flange:

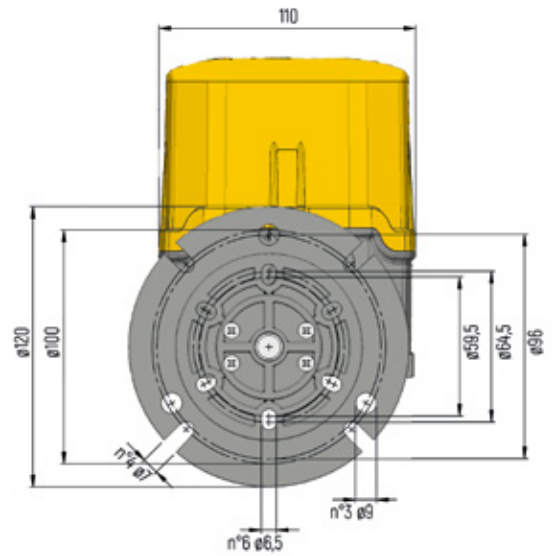
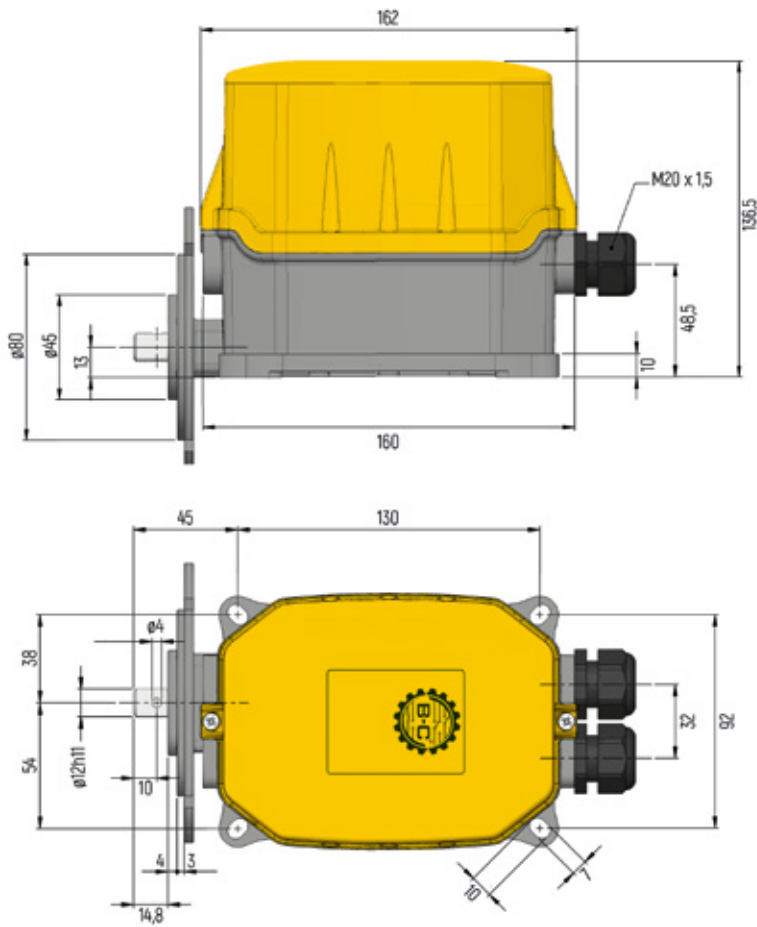


# FRM



DIMENSIONS (in mm)

6 Contacts with flange:

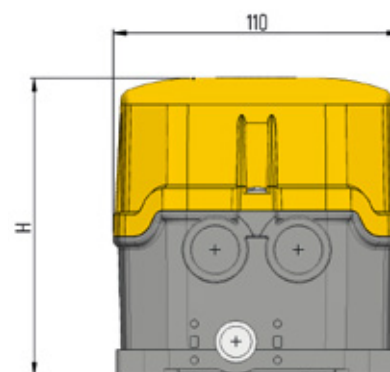
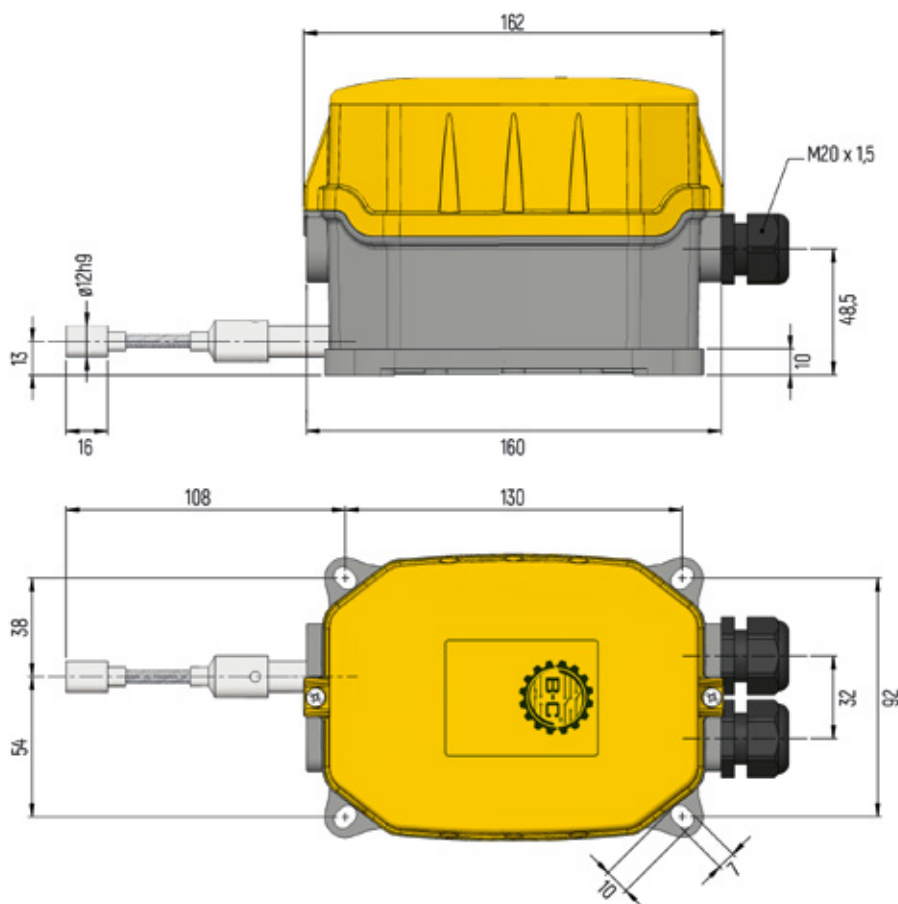


# FRM



DIMENSIONS (in mm)

With flexible shaft:



# FRM



DIMENSIONS (in mm)

With Male Connection:

