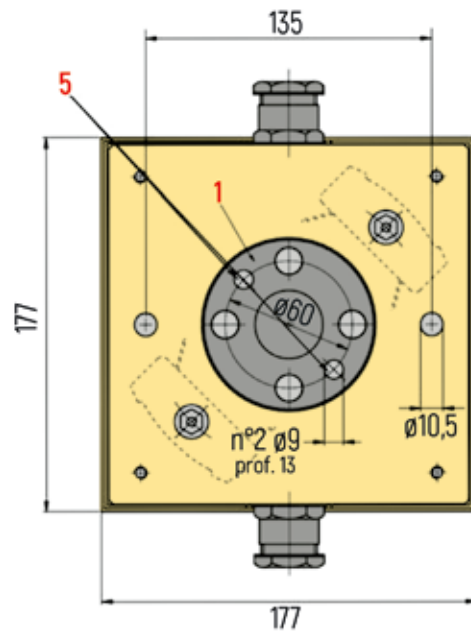
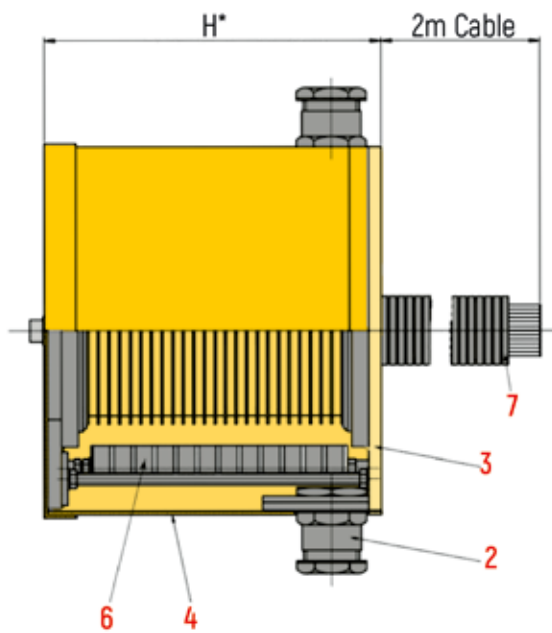


PMP



DIMENSIONS (in mm)



* H	20A-Version	No. rings
130	G PMP B18	18
160	G PMP B24	24
190	G PMP B30	30
220	G PMP B36	36
250	G PMP B42	42

- 1 Rotor
- 2 Cable screw glands
- 3 Base plate
- 4 Cover
- 5 Holes for Fixation bolts, torque stop
- 6 Screw terminals brushes
- 7 Cable