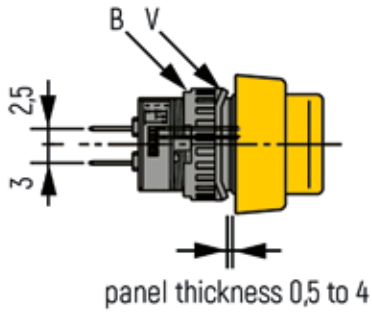


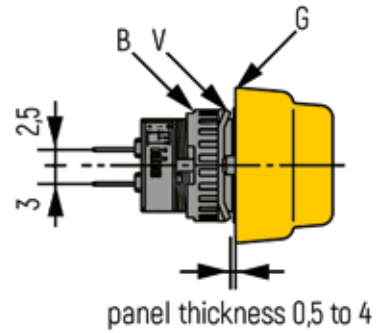
# ZA3

**DIMENSIONS (in mm)**

Without rubber cap



With rubber cap



B: Mounting nut | G: Rubber cap | V: Turning protection

