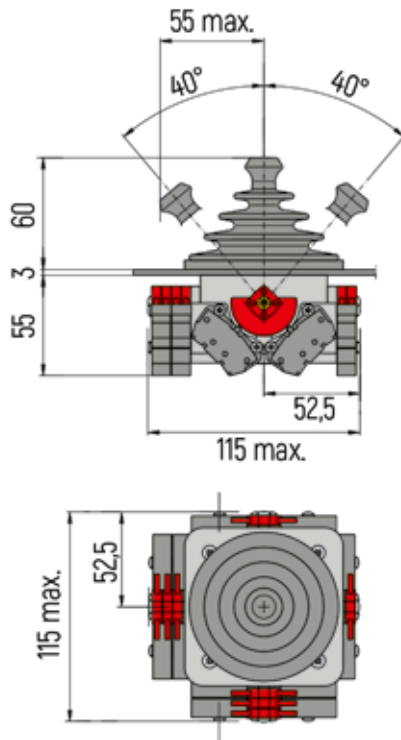


MC - MW

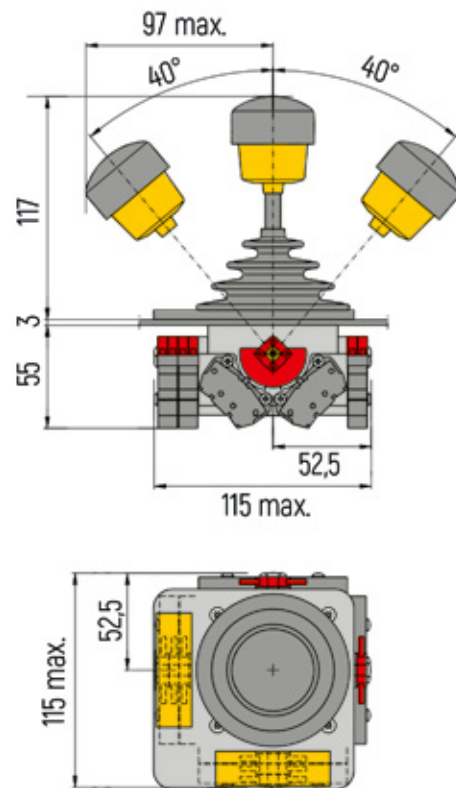


DIMENSIONS (in mm)

MC - Without handle:



MW - With handle:



MOUNTING HOLES (in mm)

