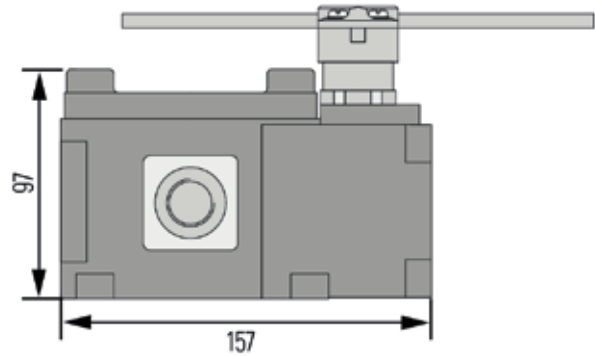
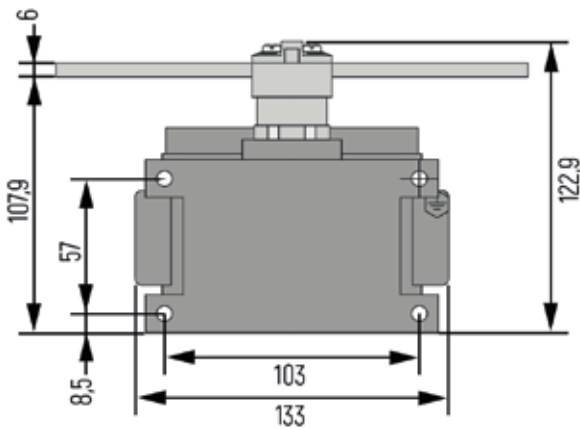
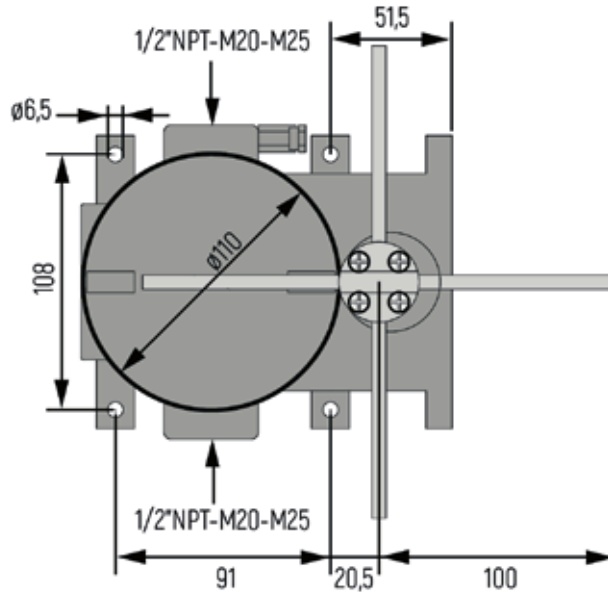
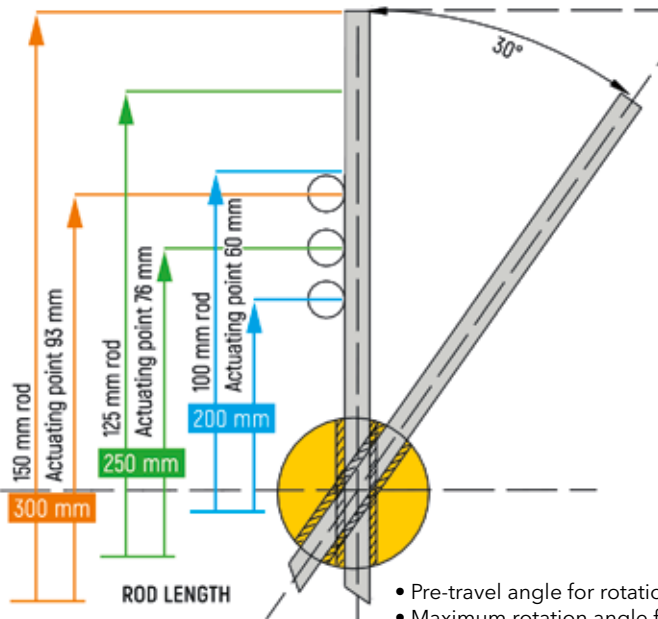


# CROSS LIMIT SWITCH ALPHA X

**DIMENSIONS (in mm)**



Roller Lever Limit Switch:



- Pre-travel angle for rotation contact operation: 70°-49°
- Maximum rotation angle for each maintained position: 90°
- Average angle for the mechanical tripping: 48°

