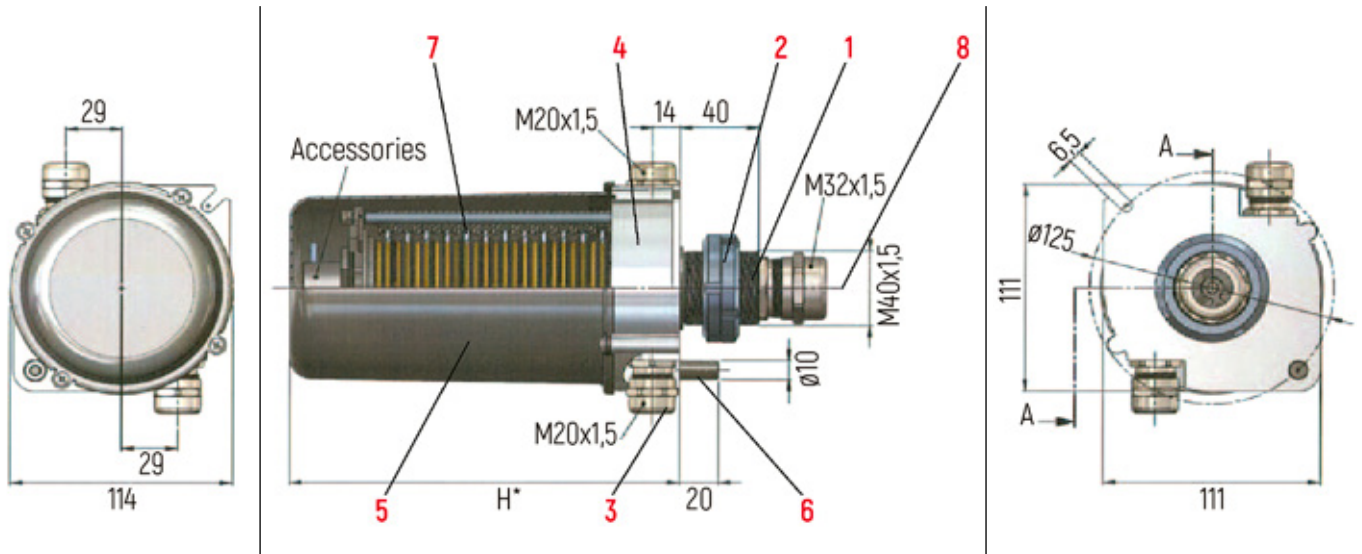


ROLLER



DIMENSIONS (in mm)



* H	10A-Version	No. rings
135	GPRR A6	6
135	GPRR A10	10
160	GPRR A16	16
200	GPRR A20	20
200	GPRR A24	24

- 1 Central transfer pipe
- 2 Counter locknuts
- 3 Cable screw glands
- 4 Housing base part
- 5 Cover
- 6 Fixation bolts, torque stop
- 7 Screw terminals brushes
- 8 Cable