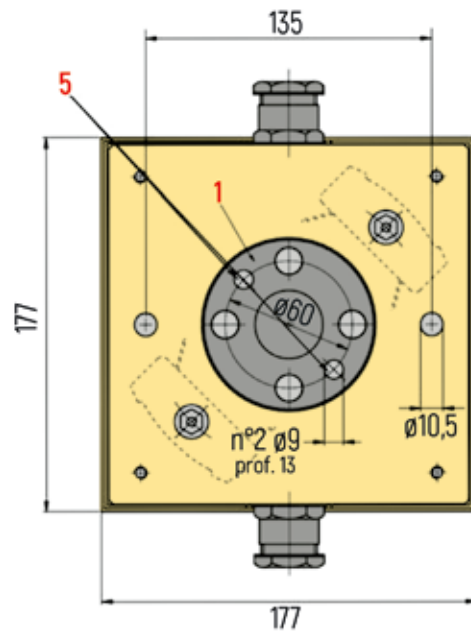
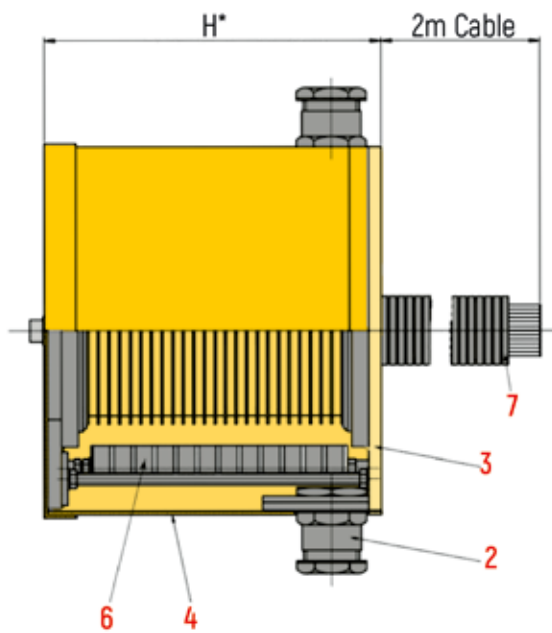


PMP



DIMENSIONS (in mm)



| * H | 20A-Version | No. rings |
|-----|-------------|-----------|
| 130 | G PMP B18 | 18 |
| 160 | G PMP B24 | 24 |
| 190 | G PMP B30 | 30 |
| 220 | G PMP B36 | 36 |
| 250 | G PMP B42 | 42 |

- 1 Rotor
- 2 Cable screw glands
- 3 Base plate
- 4 Cover
- 5 Holes for Fixation bolts, torque stop
- 6 Screw terminals brushes
- 7 Cable