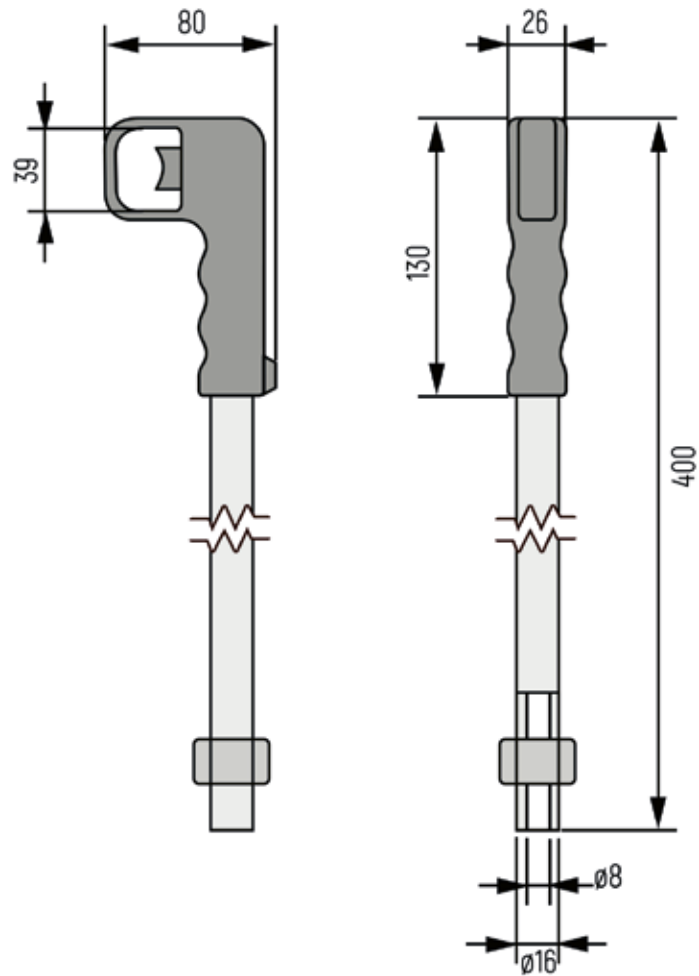


ACCEPT-C



DIMENSIONS (in mm)



CHARACTERISTICS

| Safety Handle with metal pipe and locknut | | |
|---|--|----------------------|
| Item-Code | Number Buttons | Cable Entry |
| ZB6-01 | 1 (1NO/1NC Changeover-Contact) | Thread M16 |
| ZB6-02 | | Thread 3/8" |
| ZB6-03 | | Ø20mm without thread |
| ZB6-04 | 2 (1NO/1NC Changeover-Contact + Additional Button 1NO) | Thread M16 |
| ZB6-05 | | Thread 3/8" |
| ZB6-06 | | Ø20mm without thread |