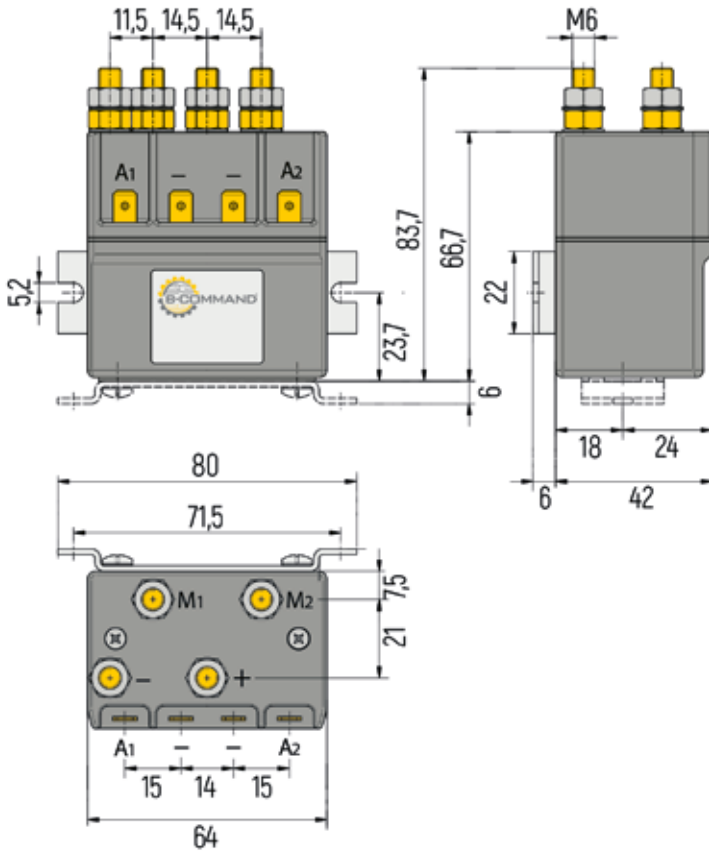


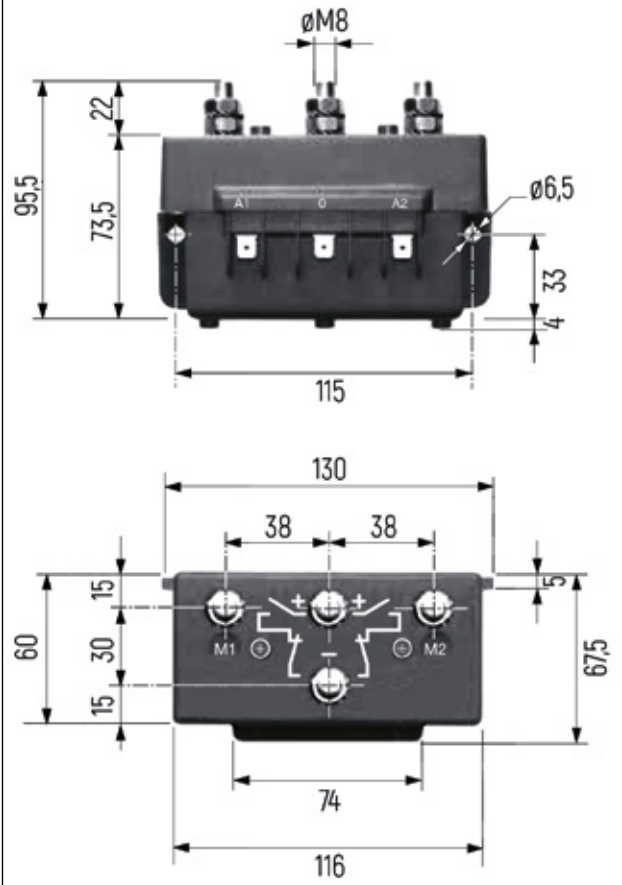
MOTOR REVERSING

DIMENSIONS (in mm)

Combi:

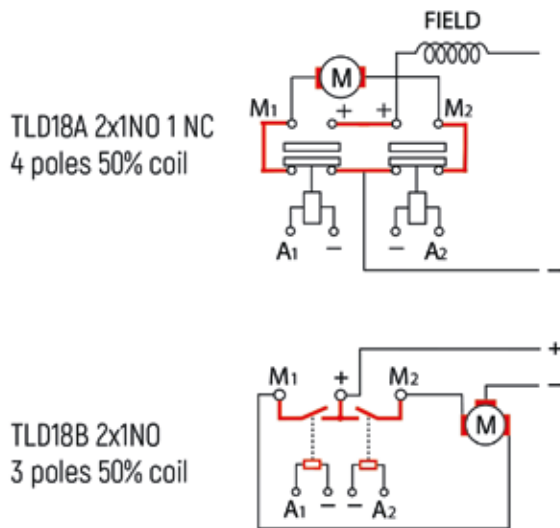


Team:



DIAGRAMS OF FUNCTIONING

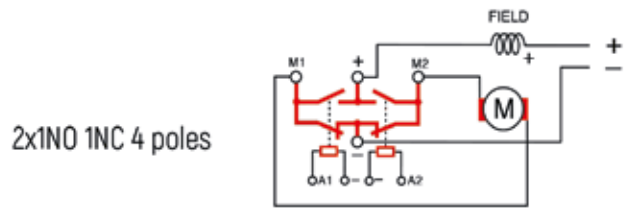
Combi:



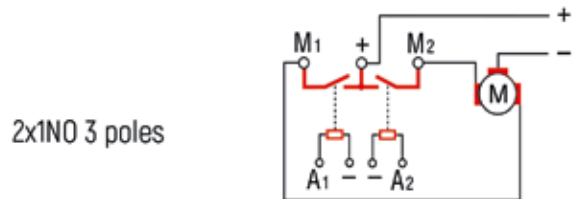
— The lines indicate the internal connections.

Team:

- D.C. shunt motor reversing



- Permanent magnet motor reversing



— The lines represent the links the motor reverser provides inside.