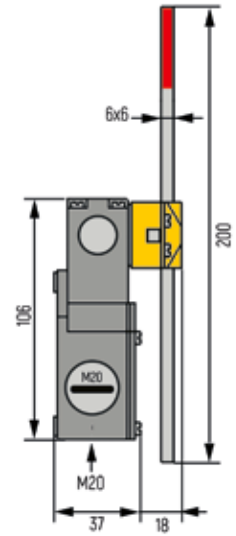
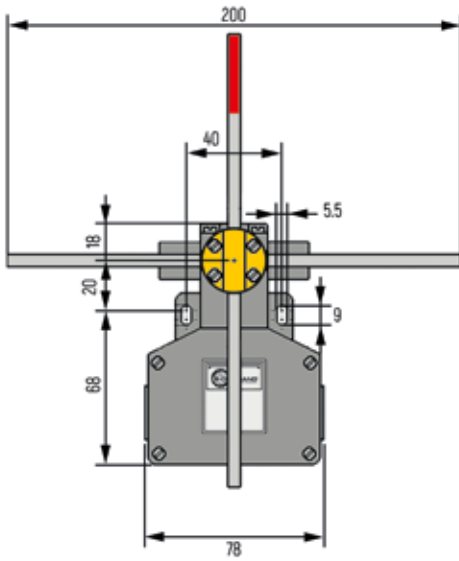


LAMBDA



DIMENSIONS (in mm)



			 Contact open Contact close				
Item-Code	Number Contacts/ Maintained Positions	Switching Behavior	-180°	-90°	0°	90°	180°
LAM001	2 x 1NO+1NC, Multiturn	A	11-12 13-14				
		B	11-12 13-14				
LAM002	2 x 1NO+1NC, 3 Positions	A	11-12 13-14				
		B	11-12 13-14				
LAM003	2 x 1NO+1NC, Multiturn	A	11-12 13-14				
		B	11-12 13-14				
LAM004	2 x 1NO+1NC, Multiturn	A	11-12 13-14				
		B	11-12 13-14				
LAM005	2 x 1NO+1NC, Multiturn	A	11-12 13-14				
		B	11-12 13-14				
LAM006	4 x 1NO+1NC, 5 Positions	A	11-12 13-14				
		B	11-12 13-14				
		C	11-12 13-14				
		D	11-12 13-14				
LAM007	4 x 1NO+1NC, Multiturn	A	11-12 13-14				
		B	11-12 13-14				
		C	11-12 13-14				
		D	11-12 13-14				

SWITCHING BEHAVIOR CROSS LIMIT SWITCH SERIES LAMBDA

