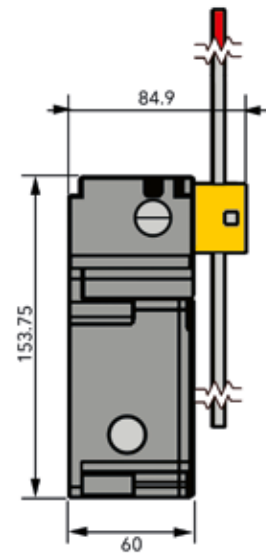
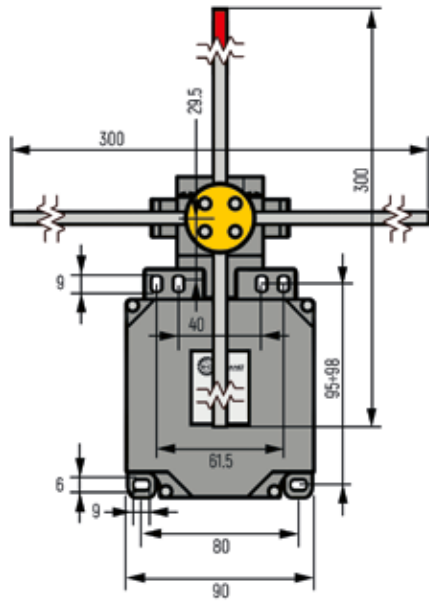


ALPHA

DIMENSIONS (in mm)



Item-Code	Number Contacts/ Maintained Positions	Switching Behavior	Switching Behavior					
			-180°	-90°	0°	90°	180°	
ALP002	2 x 1NO+1NC, 3 Positions	A	11-12 13-14					
		B	11-12 13-14					
ALP006	4 x 1NO+1NC, 5 Positions	A	11-12 13-14					
		B	11-12 13-14					
		C	11-12 13-14					
		D	11-12 13-14					
ALP007	4 x 1NC, 5 Positions	A	11-12					
		B	11-12					
		C	11-12					
		D	11-12					
ALP008	4 x 1NO+1NC, 5 Positions	A	11-12 13-14					
		B	11-12 13-14					
		C	11-12 13-14					
		D	11-12 13-14					
ALP009	4 x 1NC, 5 Positions	A	11-12					
		B	11-12					
		C	11-12					
		D	11-12					
ALP010	4 x 1NC, Multiturn	A	11-12					
		B	11-12					
		C	11-12					
		D	11-12					
ALP011	4 x 1NO+1NC, Multiturn	A	11-12 13-14					
		B	11-12 13-14					
		C	11-12 13-14					
		D	11-12 13-14					
ALP016	4 x 1NO+1NC, without end-stop	A	11-12 13-14					
		B	11-12 13-14					
		C	11-12 13-14					
		D	11-12 13-14					

SWITCHING BEHAVIOR CROSS LIMIT SWITCH SERIES ALPHA

