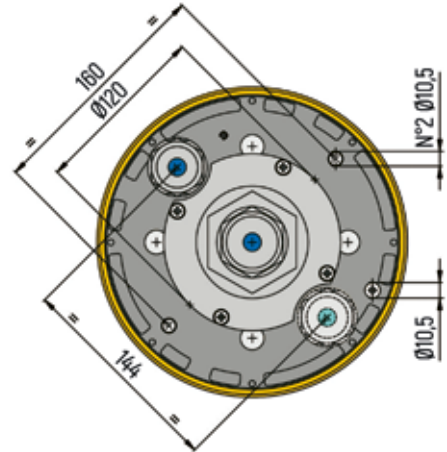
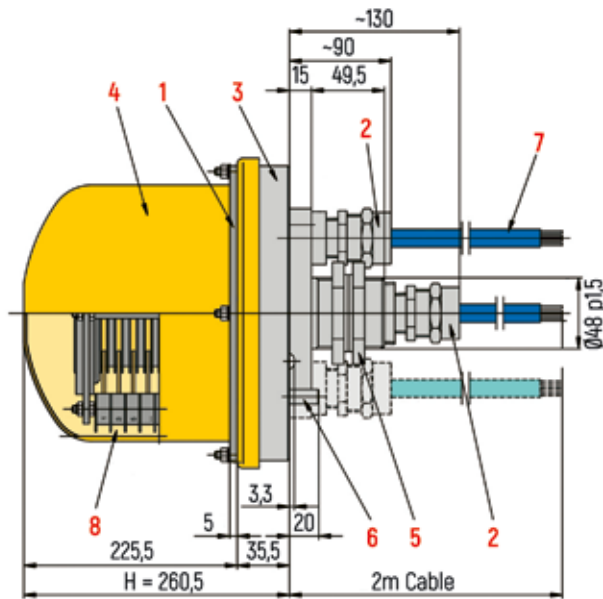


# SLIP RING EXD



DIMENSIONS (in mm)



- 1 Special sealing ring cover
- 2 EX-Cable screw glands
- 3 Base unit
- 4 Cover
- 5 Counter locknuts
- 6 Fixing bolts
- 7 Cable
- 8 Screw terminals brushes