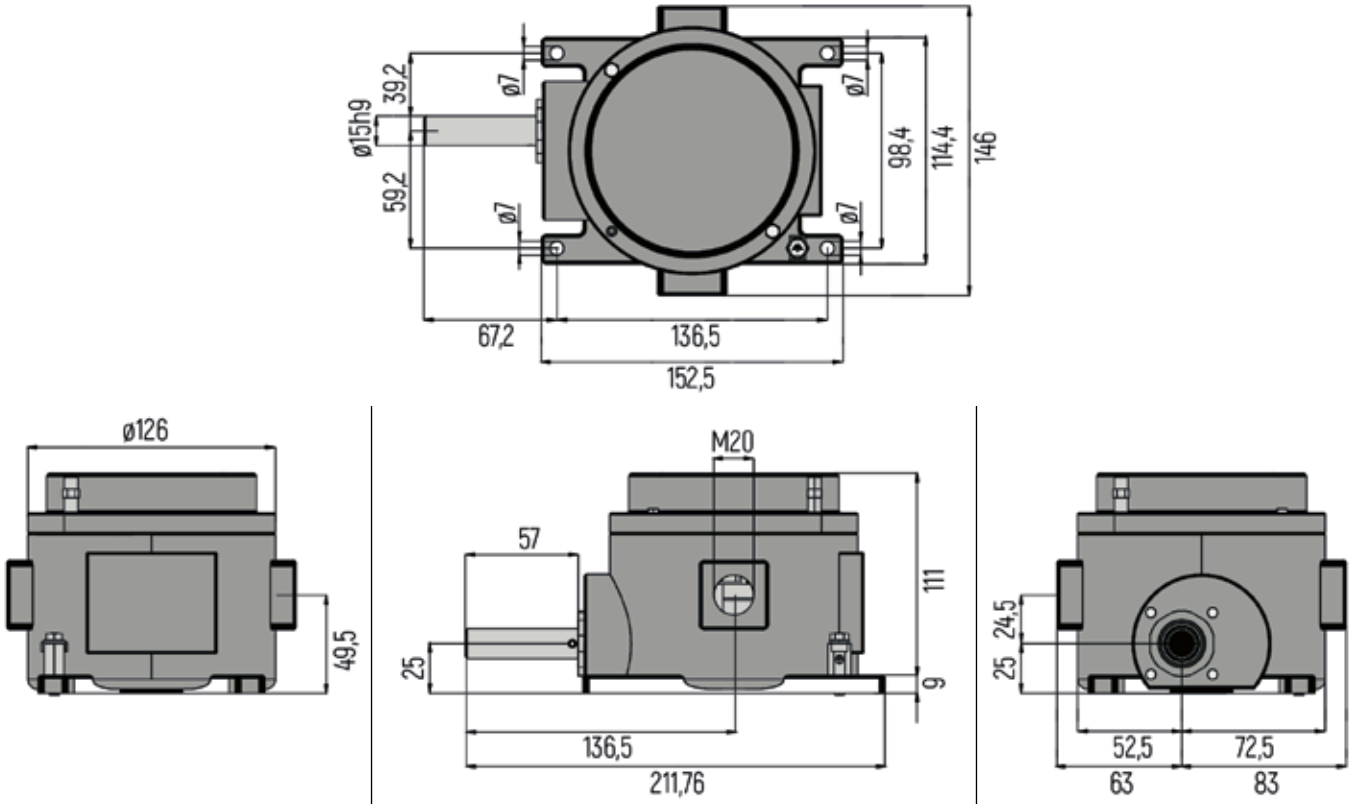


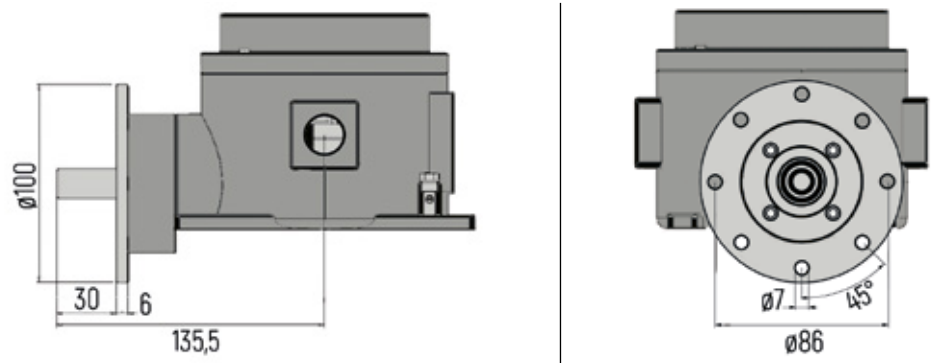
ROTARY LIMIT SWITCH FRX

DIMENSIONS (in mm)

Foot-Mounted version:



Flange-Mounted version:



CAM REFERENCE CHART

| | A | B | C | E | H |
|-----------------|-------------|-------------|-------------|--------------|--------------|
| Cam | | | | | |
| | 1 point | 10 points | 60° sector | 180° sector | 335° sector |
| Switching angle | 20.5° ±0.5° | 14.0° ±0.5° | 78.0° ±0.5° | 199.5° ±0.5° | 344.0° ±0.5° |

Standard CAM set with 2, 3 or 4 contacts

