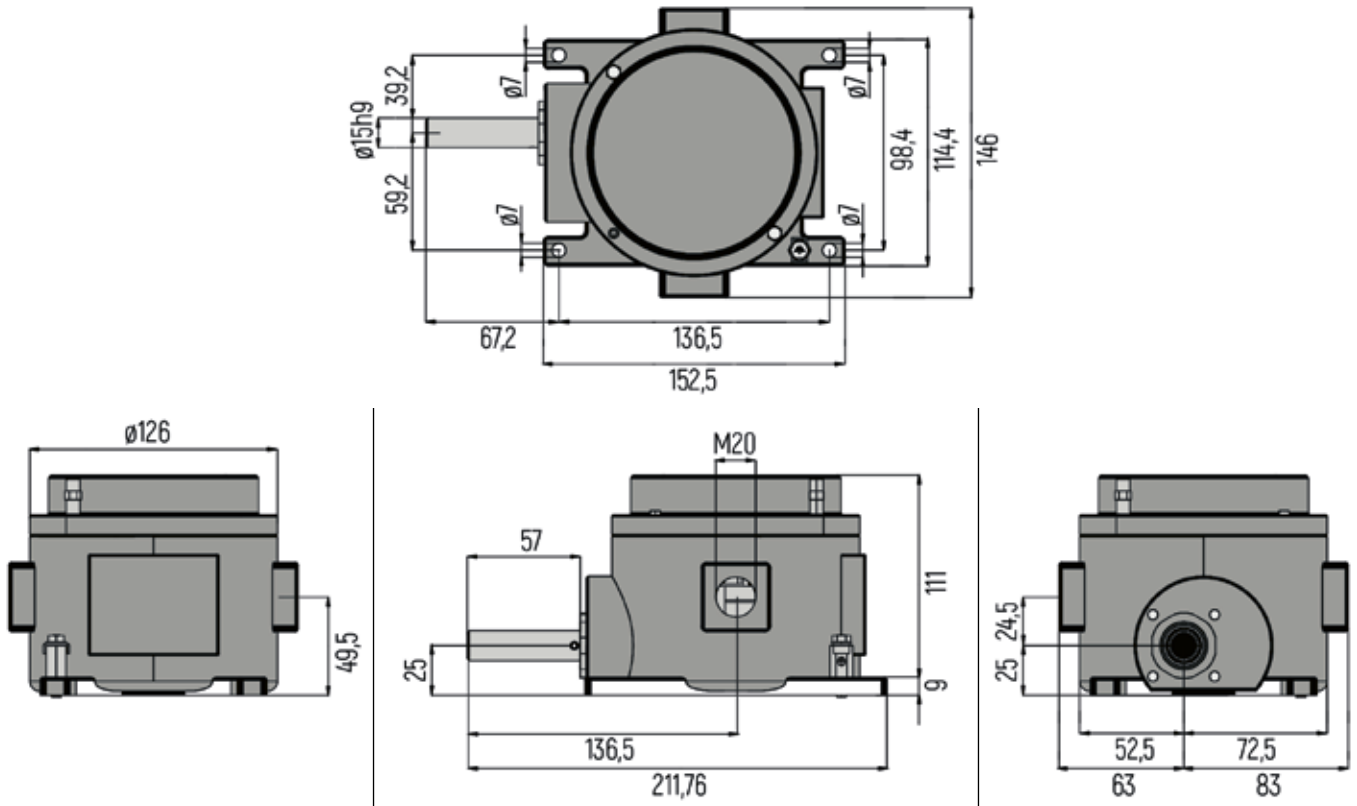


ROTARY LIMIT SWITCH FRX

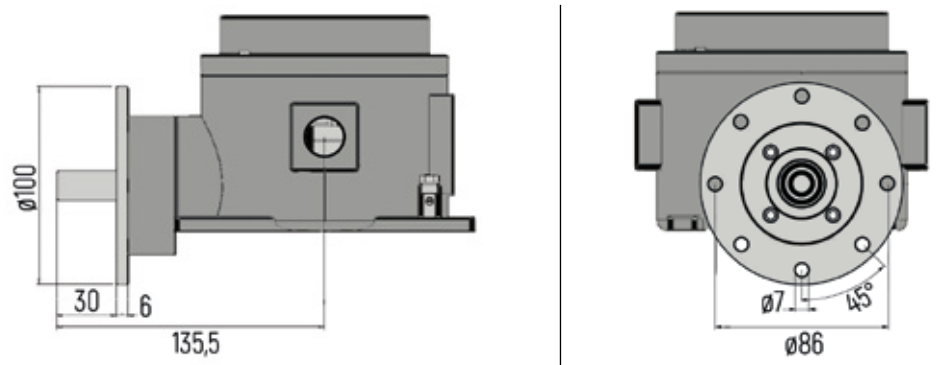


DIMENSIONS (in mm)

Foot-Mounted version:



Flange-Mounted version:



CAM REFERENCE CHART

	A	B	C	E	H
Cam					
	1 point	10 points	60° sector	180° sector	335° sector
Switching angle	20.5° ±0.5°	14.0° ±0.5°	78.0° ±0.5°	199.5° ±0.5°	344.0° ±0.5°

Standard CAM set with 2, 3 or 4 contacts

